



PYRAMIS

EN

BUILT-IN OVEN USER MANUAL

GR

ΕΓΧΕΙΡΙΔΙΟ ΧΡΗΣΗΣ ΕΝΤΟΙΧΙΖΟΜΕΝΟΥ ΦΟΥΡΝΟΥ

BG

РЪКОВОДСТВО ЗА УПОТРЕБА НА ФУРНА ЗА ВГРАЖДАНЕ

MODELS

OVEN 731016 PK INOX
ΦΟΥΡΝΟΣ 731016 PK INOX
ФУРНА 731016 PK ИНОКС

OVEN 731016 PK BLACK
ΦΟΥΡΝΟΣ 731016 PK BLACK
ФУРНА 731016 PK ЧЕРНА

ENGLISH

Dear Valued Customer,

First of all, thanks for purchasing our product.

Read all instructions and warnings in this user manual carefully.

This manual contains important information about the safe installation, use and maintenance of your appliance, as well as warnings to ensure that you get the most out of your appliance.

Keep this manual in a safe and easily accessible place for future use.

The manufacturer is not liable for personal injury, environmental damage, or damage to property resulting from the translation or printing of these instructions or from improper use of the appliance.

The appliance is conformed with the WEEE Regulation.

TABLE OF CONTENTS

Important Information Regarding Safety

Technical Specifications of the Oven

Installation of the Appliance

Oven Energy Efficiency

Description of the Oven

Using the oven

Cooling Fan

Cleaning and Maintenance of the Appliance

Miscellaneous Suggestions

Instructions for Cooking

Transport Information

Customer Services and Warranty

IMPORTANT INFORMATION REGARDING SAFETY

CHILD SAFETY

- * DO NOT allow young children to play with the oven, the control knobs, or near the oven.
- * The oven is a product that heats up during operation. Especially the parts you can hold in your hand and the door glass become hot. For this reason, children should ABSOLUTELY be kept away from the oven operating environment.
- * Keep packaging materials such as nylon and styrofoam out of the reach of children for safety reasons, otherwise they can be dangerous.

PRE-INSTALLATION AND INSTALLATION NOTES

Please make sure to remove all packaging materials before using the product.

- * This product should not be used for any other purpose other than cooking. Use for any other purpose (e.g., heating a room) is dangerous and inappropriate. Our company cannot be held responsible for damage to persons, animals, or property caused by improper, incorrect, or inappropriate use of the oven.
- * When you switch on the oven for the first time, your oven may have a one-off odour caused by insulation materials and heating elements. In this case, switch on the appliance and wait until the smell is disappeared before putting the food in the oven. Clean the oven with a damp cloth.
- * Avoid contact with the heating elements inside the oven, as it will overheat during use.
- * The surface of the oven can become very hot during the grill function. Be careful.
- * Never bake or fry on the base of the oven.
- * Do not cover the bottom of the oven with aluminium foil.
- * There are certain rules that must be observed when using electrical equipment.
- * Never try to unplug the appliance from the socket by pulling the cable.
- * Never touch the product if your hands or feet are wet or damp.
- * Do not allow children or minors to use the product without supervision.
- * Unplug the product from the mains socket when moving, cleaning, or servicing it.
- * If you are not careful, the oven door could injure your hands if it is separated from the hinge.
- * If the oven breaks down or does not work properly, switch it off, unplug it, and do not tamper with it.
- * All maintenance and repair work may only be carried out by an authorised service centre and only original spare parts may be used. Failure to observe any of the above warnings may result in damage to your oven.
- * When not using the oven, make sure that all functions are in the "OFF" position.
- * Always use oven mitts when removing the tray from the oven.
- * Always keep the oven clean for your safety and cleanliness. Oils left in the oven, after its use, can damage the surface of the oven in the future.
- * Our company cannot be held responsible for damage to people, animals or property caused by failure to observe these warnings.
- * Our company cannot be held liable for any damage that may result from dangerous and improper use of the oven.

* The appliance becomes hot during use. Caution is advised to avoid touching the heating elements inside the oven.

* The appliance should not be used by people whose physical, situational, or mental capabilities are reduced or by people who do not have experience/know-how (including children), except the situations when they are under the supervision of the person responsible for their safety or when they are instructed by this person to use the appliance.

The appliance complies with the following European Directives and Regulations:

(CE) 1275/2008 Regulation on electricity consumption in standby and off modes

Directive 2005/32 / EC / Electricity consumption in standby and off functions

Directive 2014/35/EC (Low Voltage)

Directive 2014/30/EC (Electromagnetic Compatibility)

Directive 2012/19/EC (WEEE - Waste Electrical and Electronic Equipment)

Directive 2009/125/EC (ErP - Eco Design)

Directive 2011/65/EC (RoHS - Restriction of Hazardous Substances)

Regulation 1935/2004/EC (Materials intended to come into contact with food)

Regulation 1907/2006/EC (REACH -Restriction of Chemicals)

TECHNICAL SPECIFICATIONS OF THE OVEN

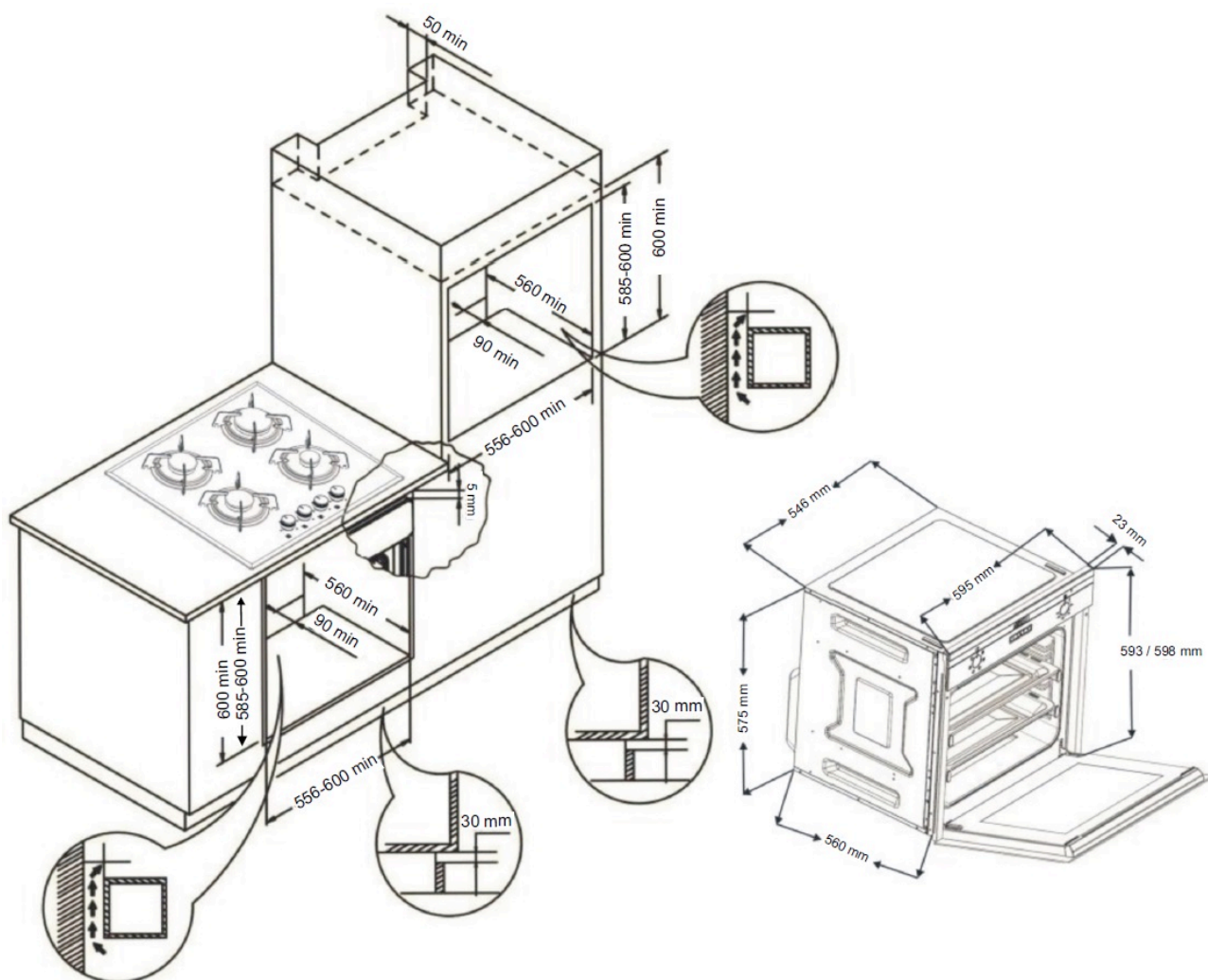
The oven is designed to operate with single phase 220-240V AC 50-60 Hz electricity.
Please read the registration label on the bottom of the oven carefully before installation.

MODELS	OVEN 731016 PK INOX ΦΟΥΡΝΟΣ 731016 PK INOX OVEN 731016 PK BLACK ΦΟΥΡΝΟΣ 731016 PK BLACK
Top Heater	900 W
Bottom Heater	1200 W
Grill	1800 W
Oven Lamp	25 W
Cooling Fan	22 W
Turbo Fan	25 W
Oven External Dimensions (WxDxH)	595*595*560 mm
Mounting Cabinet Dimensions	600*600*570 mm
Oven Interior Volume	73 L
Voltage	220-240 V AC 50-60 Hz
Maximum Power Ratings	2170 W

ENVIRONMENTAL WARNING: After installation, please dispose of the packaging materials with due consideration for safety and environmental conditions. For the reuse of packaging residues (foil, cardboard, polystyrene), please dispose of them in the appropriate recycling containers. When disposing of electrical appliances, cut the cable to make it unusable.

INSTALLATION OF THE APPLIANCE

Installation must be carried out by an authorized technician according to the guidelines. Our company cannot be held responsible for any damage to people, animals, or property, caused by improper installation.



INSTALLATION WARNINGS

* The dimensions of the cabinet or unit in which it is to be installed and the material must be correct and temperature-resistant so that the built-in oven functions properly.

Please install according to the dimensions shown in Figure 1.

* The walls of the furniture in which the oven is installed must be heat resistant. The coating must be resistant up to a temperature of 100 °C, especially if the side walls are made of veneered chipboard. This non-heat-resistant plastic or adhesive coating can be deformed and damaged.

* For safety reasons, direct contact with the electrical parts of the oven must be avoided once installation is complete.

* Isolating and protective parts must be fitted so that they cannot be removed with any tool.

* To ensure better air circulation, the oven should be installed as shown in Figure 1.

* It is recommended to leave a distance of at least 40mm to the back of the kitchen unit where the oven will be installed.

* When placing the oven, a base should be placed under the oven to support its weight.

* The rear compartment of the cabinet in the kitchen unit should be removed to ensure better air circulation.

* The first step in getting your oven ready for use is to prepare the installation site and the electrical installation. Then call the authorised service.

* It is not recommended to place the appliance near a refrigerator or freezer, otherwise the performance of said appliances will be affected by the heat emitted.

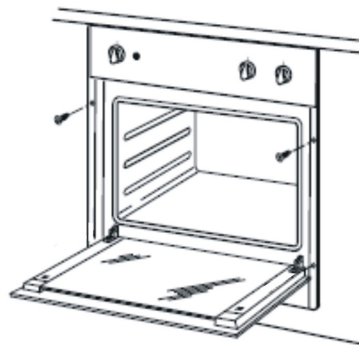
INSTALLATION OF THE OVEN IN THE CABINET

* Open the oven door and mount the oven on the worktop by aligning it with the holes on the sides of the oven housing, using the two wood screws included in the mounting kit.

* Place the appliance to the centre of the built-in cabinet.

* The oven can optionally be installed in a cabinet at a high level or under the worktop.

* When a built-in electric hob is installed on the worktop above the oven, the hob and oven power cables must be separate from each other for safety and to facilitate the removal of the oven from this hob if necessary.



ELECTRICAL CONNECTION

* The appliance must be connected to the mains in accordance with the applicable laws and regulations and only by an authorised electrician.

* Make sure that the power provided by the mains supply corresponds to the power indicated on the rating plate placed on the bottom front of the device.

* If the current rating of the fuse, in your house, is less than 16 amps, have a 16-amp fuse connected by a qualified electrician.

WARNING: The appliance must always be earthed.

* The mains cord of your oven is fitted with an earthed plug. This plug must be used with a grounding line. Have the earthing installation carried out by a qualified electrician.

Before supplying electricity to the appliance:

1) Position the oven so that the socket, or the two-pole switch for the electrical connection, is easily accessible.

2) Do not place the power cord on hot surfaces and do not pinch the oven door.

3) If the power cord is damaged, contact the nearest authorised service centre in your area. Have the cable replaced by an authorised service centre with a new cable of the same size, plastic-insulated and suitable for the electrical current required by the oven.

* If the appliance is to be connected directly to the electrical installation, a double pole switch, suitable for the required load in accordance with the applicable regulations, must be installed between the appliance and the electrical installation, with a distance of at least 3 mm between the contacts.

The ground wire must not be cut by the double-pole switch.

* The use of adapters, multiple sockets or extension cords is not recommended. If absolutely necessary, an adapter or an extension cable can be used in compliance with the applicable safety regulations. However, never exceed the maximum current capacity and maximum power specified for the adapter.

* Test the heating elements for 3 minutes after the connection process is completed.

* The electrical safety of the appliance is only guaranteed if it is correctly connected to a suitable source, grounded according to the rules. Our company cannot be held responsible for any damage to people, animals, or property, caused by improper earthing of the appliance.



Figure 2: Oven Electrical Plug Connection

FIRST OPERATION

1. Set the temperature setting to the maximum level. (250°C MAX)
2. Turn the function knob to Upper & Lower heating element function (and Fan if available).
3. Run the oven empty for 30 minutes.
4. Open the windows for air circulation.

* During this time, your oven may emit a one-off smell and smoke from the insulating materials and heating elements. In this case, just make sure that the smell and smoke have disappeared before putting the food in the oven.

* After these operations, clean the inside of the oven with a soft cloth and some damp soap.

IMPORTANT: To open the oven door, always grasp the handle in the middle.

WARNING: Carefully wash parts such as tray, grid etc. before the first use of the oven.

WARNING: Accessible parts can be hot when using the grill. Children should be kept away.

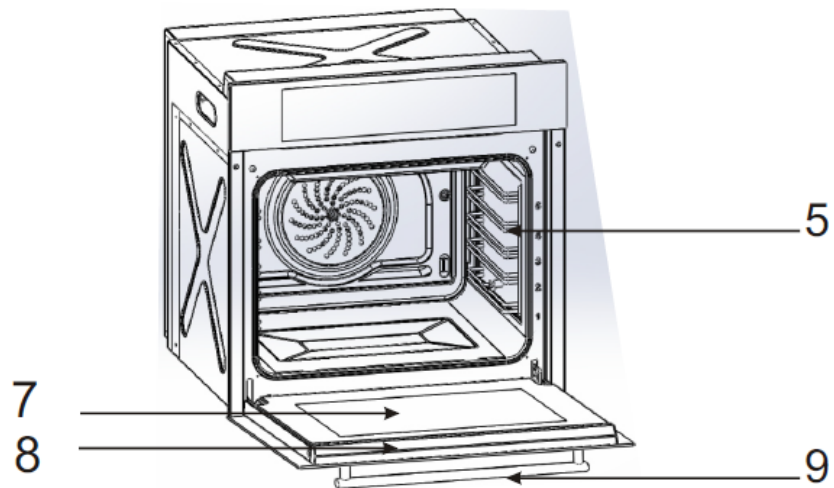
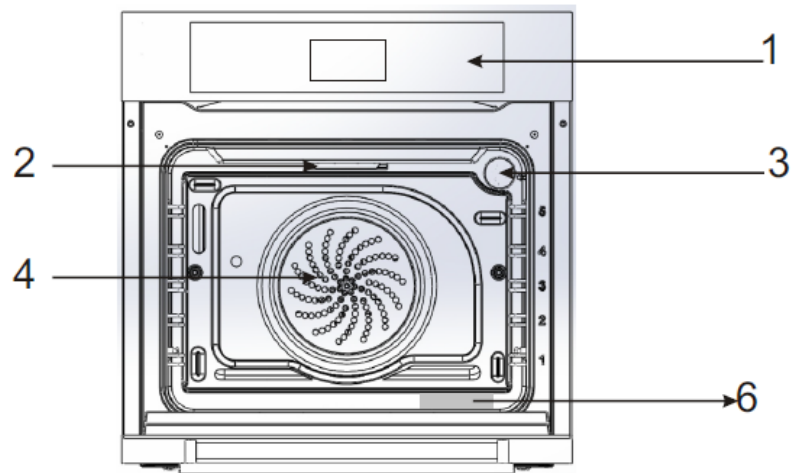
WARNING: If the surface is cracked, switch off the appliance to avoid the risk of electric shock.

WARNING: To avoid the risk of electric shock, make sure that the appliance's circuit is switched off before replacing the lamp.

OVEN ENERGY EFFICIENCY

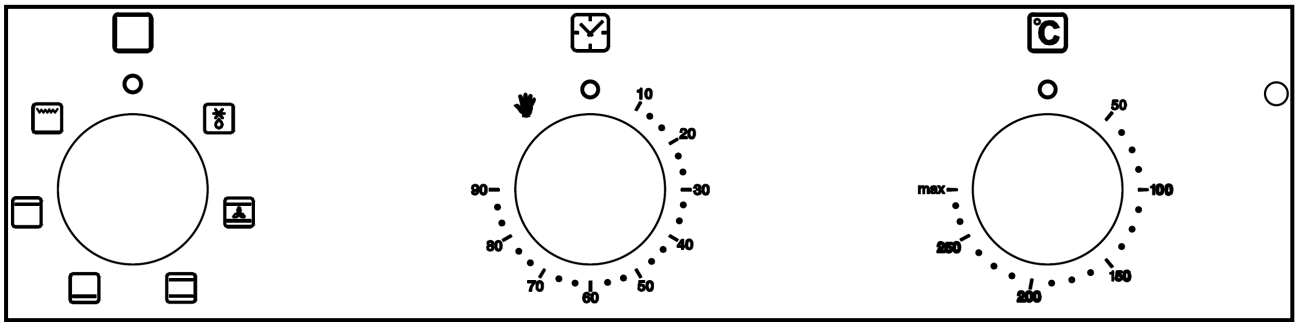
- Ovens with high efficiency, in use of electrical energy and thermal insulation, should be preferred.
- Opening the oven door frequently, during cooking, causes cold air to flow into the oven each time, resulting in energy loss. For this reason, the oven door should not be opened further than necessary.
- Try to cook more than one meal in the oven. Take out the food cooked at a lower temperature before the others so that less energy is used without changing the temperature of the oven.
- The residual heat left after cooking in the oven should be used for the next meal. This will save energy.
- Preheating the oven should be done for a short time (maximum 10 minutes).
- Frozen food should be defrosted before cooking in the oven.
- Flammable and combustible materials that can be easily ignited around the oven should not be kept.
- Ovens must be installed on a location far from inflammable environments.
- For lower energy consumption, switch off the oven a few minutes before the end of cooking time. Thus, the cooking will continue with the current residual temperature.

DESCRIPTION OF THE OVEN



- 1) Control Panel
- 2) Oven Top Resistance
- 3) Light Bulb
- 4) Turbo Fan
- 5) Grill Rack
- 6) Rating Label
- 7) Oven Glass
- 8) Oven Door
- 9) Handle

USING THE OVEN



1

2

3

1. FUNCTION SELECTION KNOB: Turn the knob to select the function you wish to use while the oven is running.


2. MECHANICAL TIMER: Read the following instructions.

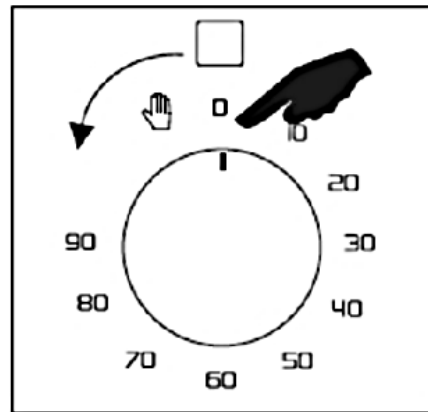
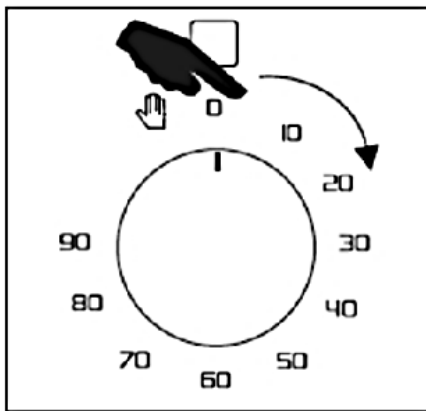
3. TEMPERATURE ADJUSTMENT KNOB: It is used to adjust the cooking temperature of the oven between 50-250°C during operation.

	OFF FUNCTION: The product does not work in this position.
	DEFROSTING FUNCTION: In this position only the turbo fan operates, which circulates room-temperature air around the frozen food to defrost it.
	FAN + BOTTOM & TOP HEATER FUNCTION: It provides more homogenous cooking by circulating hot air inside the oven. It is used for food that should be soft on the inside and crispy fried on the outside.
	BOTTOM & TOP HEATER FUNCTION: Mostly used for single tray baking. The food is evenly browned and crispy on both sides.
	BOTTOM HEATER FUNCTION: Only the bottom heater is switched on. It is used for food that needs to be cooked from below, for heating food, and for food that needs to be cooked for a long time at a slow heat, such as stews.
	TOP HEATER FUNCTION: Only top heater is switched on. It is mostly used to continue frying the upper parts of cooked food and to warm up food that has already been cooked.
	GRILL: Used for grilling and frying small portions of food. Suitable for cooking meat of low to medium thickness, such as sausages and chops. Place the meat directly on the grill rack with a deep tray underneath and grill it.

USING THE MECHANICAL TIMER

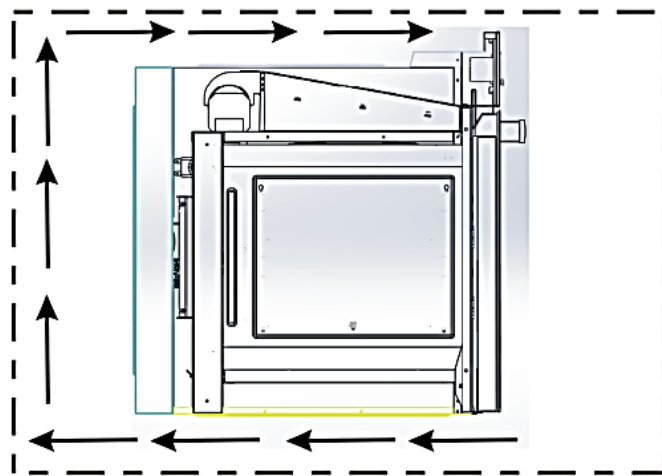
You can adjust up to 90 minutes by rotating the mechanical timer button clockwise. The timer will have the oven work for the set duration and shut it down automatically when the time is up. Set the function and temperature adjustment buttons after placing the meal inside the oven and adjust the mechanical timer button to the position you wish. The oven alarm will sound, and the oven will automatically shut down when the time is up. With circuit cutter, oven working duration can be set to 90 minutes maximum. It is possible to set longer cooking periods manually.

For manual use, align the clock button counterclockwise to the  symbol. Your oven will start working at this position. It will continue working for the duration of your choosing. Turn the mechanical clock button clockwise when you wish to end cooking. Your oven will shut down when you hear the alarm sound.



COOLING FAN

Overheating of the external surface of the oven and damaging its perimeter is prevented by its ventilation system cooling fan. This fan creates a ventilation that enables discharge of hot air from grids (ventilation openings). The heat emanating over the oven prevents oven from reheating, also prevents overheating of the control panel and the cover and the components by creating an air curtain. Ventilation of the cooling fan prevents condensation that may occur by heat and humidity on electrical and mechanical components and makes them safer and durable. Cooling fan is enabled and disabled by the thermostat on it. In this case, as the cooling fan works based on temperature, it will run for a period even if the oven is turned off and stops automatically.



CLEANING AND MAINTENANCE OF THE APPLIANCE

Clean up spillages and stubborn dirt as soon as possible. Regular cleaning reduces the effort required for large-scale cleaning at a later date.

ATTENTION!

- Before cleaning any part of the appliance, make sure that all control buttons are switched off and the appliance is cold.
- If ammonia or appliance cleaners are used, they must be removed and rinsed thoroughly before switching on the appliance. Follow the manufacturer's instructions and ensure sufficient ventilation.

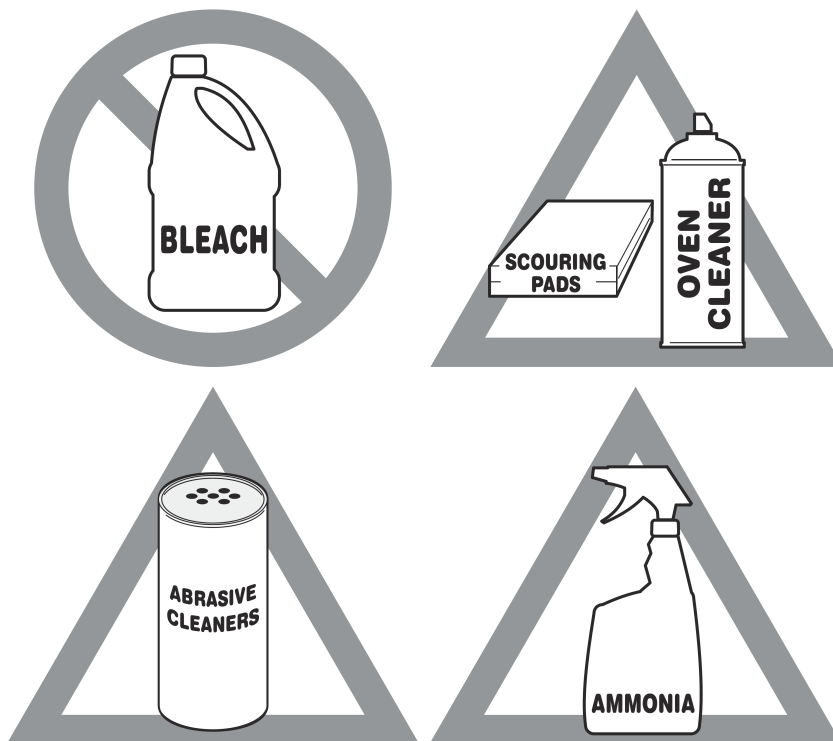


Figure 3: Use cleaners carefully.

Aluminium and Vinyl

Clean with a soft cloth, mild detergent, and water. Rinse with clean water, dry and polish with a soft and clean cloth.

Painted and Plastic Control Knobs, Painted Appliance Body Parts & Painted Decorative Coatings

Using a soft cloth, clean with mild detergent and water or a 50/50 solution of vinegar and water. Rinse with clean water, dry and polish with a soft and clean cloth. Glass cleaning agents can be used, but do not apply directly to the surface. Instead, spray onto a cloth and wipe.

Control Panel

Using a soft cloth, clean with mild detergent and water or a 50/50 solution of vinegar and water. Do not spray liquids directly onto the control panel and the surface of the oven. Do not use excessive amounts of water on the control panel - too much water in this area can damage the appliance.

Do not use any other liquid cleaners, abrasive cleaners, scouring pads or paper towels - these will damage the coating.

Control Knobs

Using a soft cloth, clean with mild detergent and water or a 50/50 solution of vinegar and water. To remove the control knobs: Turn to the OFF position, grasp firmly, and pull from the shaft. To replace the knobs after cleaning, align them where the OFF symbol is and press the knobs into position.

Stainless Steel

Using a soft cloth, clean with mild detergent and water or a 50/50 solution of vinegar and water. Rinse with clean water, dry with a soft, clean cloth. Do not use cleaners containing abrasives, chlorides, chlorine, or ammonia.

Anti-Fingerprint Stainless Steel & Black Stainless Steel

Using a soft cloth, clean with mild detergent and water or a 50/50 solution of vinegar and water. Rinse with clean water, dry with a soft, clean cloth. Do not use appliance cleaners, stainless steel cleaners or cleaning agents containing abrasives, chlorides, chlorine, or ammonia. These cleaners may damage the coating.

Enamelled Grill Tray and Fittings, Enamelled Oven Door Coating & Enamelled Oven Body Parts

Rinse with clean water and dry with a damp cloth. Most stains can be removed by carefully rubbing with a soapy, non-abrasive cloth. Rinse with 50/50 solution of clean water and ammonia. If necessary, cover difficult areas with a paper towel soaked in ammonia for 30 to 40 minutes. Rinse and dry with a clean cloth. Free it from all cleaning agents, otherwise the heating may damage the enamel in the future. Do not leave foods with high sugar or acid content (milk, tomatoes, sauerkraut, fruit juices or tart fillings) on the enamelled surfaces. These spills can leave a matt stain even after cleaning.

Oven Door

Clean the top, sides, and front of the oven door with a mild dishwashing detergent and water or a 50/50 solution of vinegar and water. Rinse thoroughly. Glass cleaning agent can be used to clean the outer glass of the oven door. Ceramic flat surface cleaner or polish can be used on the inner glass of the oven door. Never immerse the door in water. Do not spray or allow water or cleaners to enter the oven door vents. Do not use oven cleaners, cleaning powders or harsh abrasives on the outer surface of the oven door.

Do not clean the oven door gasket. Do not rub, remove, or damage this gasket.

Removal of the Oven Racks

It is possible to easily remove and clean the oven racks where the tray and grill racks are placed. To remove these oven racks from the side walls inside the oven, follow the procedure as shown in the picture below.



Oven Glass

Clean and dry the glass cover with soft sponge and cloth.

Oven Gasket:

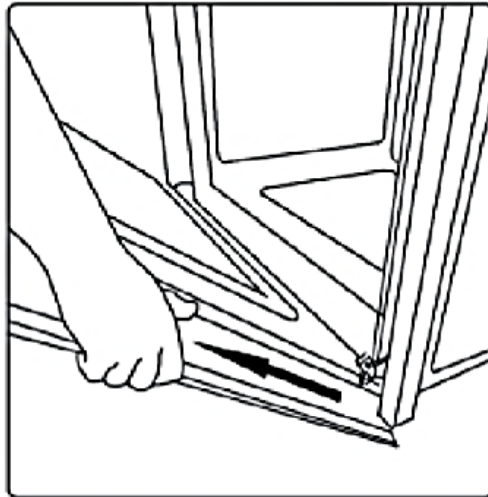
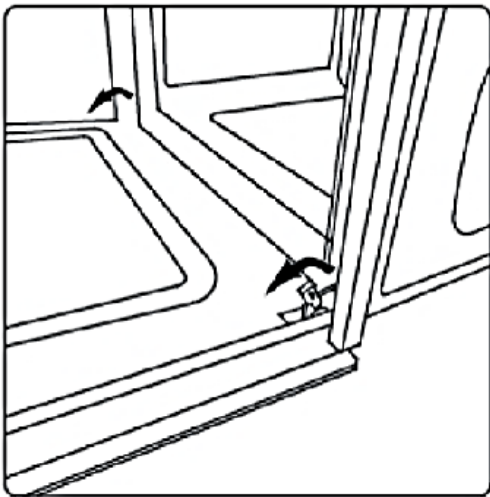
- * If the oven is used for a long time, condensation may form inside the front door and on the door gasket. Remove any moisture with a dry cloth or sponge.
- * Check the condition of this gasket at regular intervals. Clean without the use of any abrasive cleaning agents.
- * If the gasket is damaged, contact the nearest authorised service centre in your area. Do not use the oven until it has been repaired.

Removing the Oven Door

You can remove and clean the oven door easily. You must follow the procedures below to remove the door:

- * Open the door completely.
- * Pull the 2 hinges shown in the picture towards the rear.
- * Hold the door and close it until the first stop.
- * Pull the lifted door from the place where it is mounted.

To be able to reinsert the removed oven door correctly, the hinges must be positioned accordingly and lowered downwards.



Changing the Oven Light Bulb

* Make sure the appliance is not powered before performing this procedure.

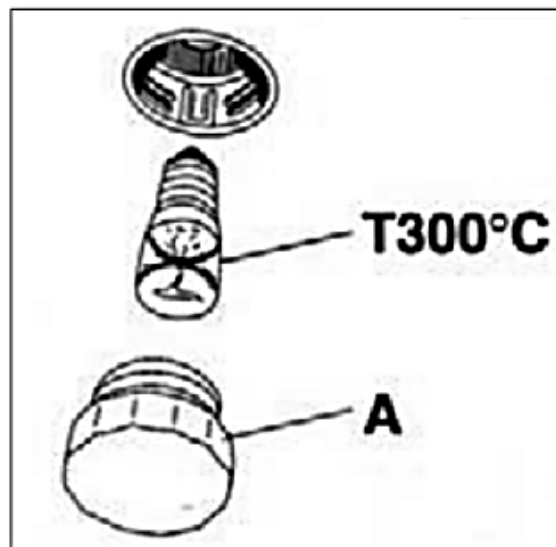
* The light bulb of the oven must have the following features.

- High temperature resistant (up to 300 °C)
- Power ratings: 220-240V AC 50-60 Hz
- Electric power: 25W
- E14 connection

* The light bulb of the oven should be replaced as shown in the figure below:

- Press the glass cover and turn it counterclockwise.
- Remove the burnt-out light bulb.
- Insert the new light bulb.
- Insert the glass cover.
- Switch on the power supply of the appliance.

IMPORTANT: If you no longer wish to use the appliance, disconnect it from the mains by pulling the plug out of the socket. Unused appliances pose a safety risk to children. Therefore, keep your oven out of the reach of children.



MISCELLANEOUS SUGGESTIONS

PROBLEM	REASON	SOLUTION
The top of the dish is overcooked, and the bottom is undercooked.	Too low heat level from the bottom.	Possibly wrong cooking shelf, the tray must be put to the lowest shelf.
The bottom of the dish is overcooked, and the top is undercooked.	Too low heat level from the top.	Possibly wrong cooking shelf, the tray must be put to the highest shelf.
The outside of the dish is cooked, but the inside is undercooked.	Overheating	Incorrect cooking temperature. Reduce the heat.
The outside of the dish is dry.	Low heating	Incorrect cooking temperature. Increase the heat.

INSTRUCTIONS FOR COOKING

For perfect roasting, the oven has to be pre-heated to the pre-set cooking temperature. Only very fatty meat can be cooked with the oven starting from cold.

Never use shallow pans or the deep tray as pans for roasts, in order to dirty the walls of the oven as little as possible, avoid the fat splattering, the juices burning quickly, and smoke being produced.

VENTILATED HEATING

This function creates a continuous circulation of hot air that allows simultaneous cooking on two shelves. The temperatures should be below the temperatures of traditional heating.

TRADITIONAL HEATING

















This function is particularly suitable for roasting and baking bread and sponge cakes. It is advised to put the food to be cooked in the oven, when the oven has reached the cooking temperature, i.e., when the thermostat light goes off.

COOKING TIME

The table below shows some examples of the thermostat setting and cooking time.

The cooking times can vary depending on the nature of the food, its evenness and its volume.

We are sure that your experience will soon suggest possible variations to the values shown in the table.

				
F				
°C	160-200	160-180	210-220	230-250
€	2 - 3	2	2	4
⌚	30' - 50'	20' - 40'	45' - 60'	14' - 18'
				
F				
°C	225-250	180-210	160-180	190-210
€	2	2 - 3	2	2
⌚	120' - 150'	75' - 160'	45' - 60'	40' - 50'

TRANSPORT INFORMATION

- Keep the original packaging.
- Carry the product in its original packaging.
- Follow the handling signs on the packaging.

If you do not have the original package;

- Take caution against impacts on outer surfaces of your product. Do not place heavy loads on it.
- While carrying, hold/place the product upwards parallel to the ground (top side facing up).

ACTIONS TO BE TAKEN BEFORE CALLING AN AUTHORISED SERVICE

* If the oven does not heat up, your appliance may not be plugged into the earthed socket, the fuse may have blown, or the timer may not be set on models with a timer.

* If the oven does not work: For multi-system ovens, is the function selector knob set to the desired function?

Is the temperature set with the oven heater control knob?

Is the fuse or main fuse of the socket, to which the oven is connected, blown?

* If the interior light bulb is not lit: Is there power? Could the light bulb be faulty? If it is, replace it according to the manual.

* Cooking (if the top/bottom part does not cook evenly);

Check the rack positions, cooking time and temperature values according to the operating instructions.

SHOULD YOU NEVERTHELESS EXPERIENCE A PROBLEM WITH YOUR PRODUCT, PLEASE CONTACT THE AUTHORISED CUSTOMER SERVICE.

CUSTOMER SERVICE AND WARRANTY

Your new appliance has a 2-year warranty against electrical or mechanical faults. Your appliance's warranty is void under the conditions below.

- a) Faults caused by improper installation and use of the appliance.
- b) Faults caused by tampering or attempted repairs by persons other than the authorised persons.
- c) Problems arising from the installation of parts not supplied by the manufacturer.
- d) Problems arising from non-domestic use or unusual or abnormal use.
- e) Problems due to incorrect voltage.
- f) Problems caused by improper operation of the appliance.

You can refer to the List of Authorized Services provided along with the product to learn the closest Authorized Service Agency.

AFTER SALES SERVICE

Please observe the following precautions:

1. When you buy the product, have the Warranty Card approved by the Authorized Dealer.
2. Use your product according to the principles of the user manual.
3. When you have a service request regarding your product, please contact our Service Centre.
4. Ask the technician who arrives for service for the technician ID card.
5. Do not forget to ask the service technician for a "Service Receipt" when you are finished. The service receipt you receive will benefit you in the event of any future problems with your product.
6. Service life: 10 years. (The period of spare parts required for the product to function.)

This appliance is conformed with 2012/19/EC Directive for Waste of Electrical and Electronic Equipment, according to the directives applied in Europe (WEEE). You have to prevent any potential negative results against the environment and human health before casting this device away. Otherwise, it will be an improper waste. The symbol in front of the product is to warn you not to recycle this product as domestic waste but to deliver to electrical electronic waste collection locations. Disposal procedure for the product must be carried out in accordance with the local environment regulations. You can receive detailed information on disposal, reuse, and recycling of the product from authorized units.

ΕΛΛΗΝΙΚΑ

Αγαπητέ μας πελάτη,

Κατ' αρχάς, σας ευχαριστούμε για την αγορά του προϊόντος μας.

Διαβάστε προσεκτικά όλες τις οδηγίες και τις προειδοποιήσεις σε αυτό το εγχειρίδιο χρήσης.

Αυτό το εγχειρίδιο περιέχει σημαντικές πληροφορίες σχετικά με την ασφαλή εγκατάσταση, χρήση και συντήρηση του προϊόντος, καθώς και προειδοποιήσεις για να αξιοποιήσετε στο έπακρο τη συσκευή σας.

Φυλάξτε αυτό το εγχειρίδιο σε ασφαλές και εύκολα προσβάσιμο μέρος για μελλοντική χρήση.

Ο κατασκευαστής δεν είναι υπεύθυνος για οποιαδήποτε ζημιά σε ανθρώπους, το περιβάλλον, ή σε περιουσιακά στοιχεία, που προκύψει από τη μετάφραση ή την εκτύπωση αυτού του φυλλαδίου, ή από εσφαλμένη χρήση της συσκευής.

Η συσκευή συμμορφώνεται με τον κανονισμό WEEE.

ΠΕΡΙΕΧΟΜΕΝΑ

Σημαντικές πληροφορίες ασφαλείας
Τεχνικά χαρακτηριστικά φούρνου
Εγκατάσταση της συσκευής
Ενεργειακή απόδοση φούρνου
Περιγραφή φούρνου
Χρήση φούρνου
Ανεμιστήρας ψύξης
Καθαρισμός και συντήρηση της συσκευής
Διάφορες προτάσεις
Οδηγίες μαγειρέματος
Πληροφορίες για τη μεταφορά της συσκευής
Εξυπηρέτηση πελατών και εγγύηση

ΣΗΜΑΝΤΙΚΕΣ ΠΛΗΡΟΦΟΡΙΕΣ ΑΣΦΑΛΕΙΑΣ

ΑΣΦΑΛΕΙΑ ΓΙΑ ΤΑ ΠΑΙΔΙΑ

- * **ΠΟΤΕ** μην αφήνετε τα μικρά παιδιά να παίζουν με το φούρνο, τα κουμπιά ελέγχου ή κοντά στο φούρνο.
- * Ο φούρνος είναι ένα προϊόν που ζεσταίνεται ενώ λειτουργεί, ειδικά τα προσβάσιμα μέρη και το γυάλινο πάνελ στο μπροστινό μέρος. Για το λόγο αυτό, είναι απολύτως **ΑΠΑΡΑΙΤΗΤΟ** να κρατάτε τα παιδιά μακριά από το περιβάλλον όπου λειτουργεί ο φούρνος.
- * Για λόγους ασφαλείας, κρατήστε τα υλικά συσκευασίας όπως το νάιλον και το φελιζόλ μακριά από παιδιά, διαφορετικά μπορεί να είναι επικίνδυνα.

ΠΡΟΕΙΔΟΠΟΙΗΣΕΙΣ ΠΡΟΕΓΚΑΤΑΣΤΑΣΗΣ ΚΑΙ ΕΓΚΑΤΑΣΤΑΣΗΣ

- * Αφαιρέστε όλα τα υλικά συσκευασίας πριν χρησιμοποιήσετε το προϊόν σας.
- * Το προϊόν δεν πρέπει να χρησιμοποιείται για άλλο σκοπό εκτός από το μαγείρεμα. Είναι επικίνδυνο και ακατάλληλο να το χρησιμοποιείτε για οποιονδήποτε άλλο σκοπό (για παράδειγμα, για να θερμάνετε το δωμάτιο στο οποίο βρίσκεται). Η εταιρεία μας δεν είναι υπεύθυνη για οποιαδήποτε ζημιά σε ανθρώπους, ζώα ή αγαθά ως αποτέλεσμα ακατάλληλης ή λανθασμένης χρήσης του φούρνου.
- * Όταν ανοίξετε τον φούρνο για πρώτη φορά, μπορεί έχει μια μυρωδιά λόγω των μονωτικών υλικών και των θερμαντικών στοιχείων. Αν συμβεί αυτό, ανάψτε τη συσκευή και περιμένετε να εξαφανιστεί η μυρωδιά πριν βάλετε το φαγητό στο φούρνο. Καθαρίστε το εσωτερικό του φούρνου με ένα υγρό πανί.
- * Αποφύγετε την επαφή με τις αντιστάσεις στο εσωτερικό του φούρνου, καθώς ο φούρνος θα υπερθερμανθεί κατά τη χρήση.
- * Η επιφάνεια του φούρνου μπορεί να ζεσταθεί πολύ κατά τη λειτουργία του γκριλ. Να είστε προσεκτικοί.
- * Ποτέ μην μαγειρεύετε ή τηγανίζετε στο κάτω μέρος του φούρνου.
- * Μην καλύπτετε το κάτω μέρος του φούρνου με αλουμινόχαρτο.
- * Υπάρχουν ορισμένοι κανόνες που πρέπει να ακολουθούνται όταν χρησιμοποιείτε κάθε ηλεκτρικό εξοπλισμό.
- * Μην προσπαθήσετε ποτέ να βγάλετε το ρευματολήπτη από την πρίζα τραβώντας το καλώδιο.
- * Μην αγγίζετε το προϊόν εάν τα χέρια ή τα πόδια σας είναι βρεγμένα ή υγρά.
- * Μην επιτρέπετε σε παιδιά ή ανηλίκους να χρησιμοποιούν το προϊόν χωρίς επιβλέποντα.
- * Αποσυνδέετε το προϊόν από την πρίζα κατά τη μετακίνηση, τον καθαρισμό ή το σέρβις του φούρνου.
- * Σε περίπτωση αμέλειας, εάν ξεκολλήσει από τον μεντεσέ της η πόρτα του φούρνου μπορεί να βλάψει τα χέρια σας.
- * Εάν ο φούρνος χαλάσει ή δεν λειτουργεί σωστά, απενεργοποιήστε τον και αποσυνδέστε τον από την πρίζα και μην τον σκαλίζετε.
- * Όλες οι εργασίες συντήρησης και επισκευής πρέπει να γίνονται μόνο από εξουσιοδοτημένο σέρβις και να χρησιμοποιούνται μόνο γνήσια ανταλλακτικά. Η μη τήρηση οποιασδήποτε από τις παραπάνω προειδοποιήσεις μπορεί να προκαλέσει ζημιά στον φούρνο σας.
- * Όταν δεν χρησιμοποιείτε το φούρνο, βεβαιωθείτε ότι όλες οι λειτουργίες βρίσκονται στη θέση "OFF".
- * Να χρησιμοποιείτε πάντα γάντια φούρνου όταν αφαιρείτε το ταψί από το φούρνο.

* Για τον καθαρισμό του φούρνου και την ασφάλειά σας διατηρείστε πάντα τον φούρνο καθαρό. Τα λάδια που παραμένουν στο φούρνο μετά τη χρήση μπορεί να καταστρέψουν την επιφάνεια του φούρνου με την πάροδο του χρόνου.

* Η εταιρεία μας δεν είναι υπεύθυνη για οποιαδήποτε ζημιά σε ανθρώπους, ζώα ή περιουσίες λόγω μη συμμόρφωσης με αυτές τις προειδοποιήσεις.

* Η εταιρεία μας δεν φέρει ευθύνη για τυχόν ζημιές που μπορεί να προκύψουν από την επικίνδυνη και ακατάλληλη χρήση του φούρνου.

* Η συσκευή ζεσταίνεται κατά τη χρήση. Πρέπει να ληφθεί μέριμνα ώστε να μην αγγίξετε τις αντιστάσεις στο εσωτερικό του φούρνου.

* Η συσκευή δεν πρέπει να χρησιμοποιείται από άτομα (συμπεριλαμβανομένων παιδιών) με μειωμένες σωματικές ή πνευματικές ικανότητες ή έλλειψη εμπειρίας/γνώσης, εκτός εάν βρίσκονται υπό την επίβλεψη του ατόμου που είναι υπεύθυνο για την ασφάλειά τους ή έχουν λάβει οδηγίες να χρησιμοποιούν τη συσκευή από αυτό το άτομο.

Η συσκευή συμμορφώνεται με τις ακόλουθες Ευρωπαϊκές Οδηγίες και Κανονισμούς:

(CE) 1275/2008 κατανάλωση ηλεκτρικής ενέργειας στην κατάσταση εκτός λειτουργίας και στην κατάσταση αναμονής

Οδηγία 2005/32 / EC / κατανάλωση ηλεκτρικής ενέργειας στην κατάσταση εκτός λειτουργίας και στην κατάσταση αναμονής

Οδηγία 2014/35/EC (Συσκευές Χαμηλής Τάσης)

Οδηγία 2014/30/EC (Ηλεκτρομαγνητική συμβατότητα)

Οδηγία 2012/19/EC Απόβλητα Ηλεκτρικού και Ηλεκτρονικού Εξοπλισμού (ΑΗΗΕ)

Οδηγία 2009/125/EC (ErP - Οικολογικός Σχεδιασμός)

Οδηγία 2011/65/EC (RoHS - περιορισμός επικίνδυνων ουσιών)

Κανονισμός 1935/2004/EC (Υλικά που προορίζονται να έρθουν σε επαφή με τρόφιμα)

Κανονισμός 1907/2006/EC (REACH - Περιορισμούς των χημικών προϊόντων)

ΤΕΧΝΙΚΑ ΧΑΡΑΚΤΗΡΙΣΤΙΚΑ ΦΟΥΡΝΟΥ

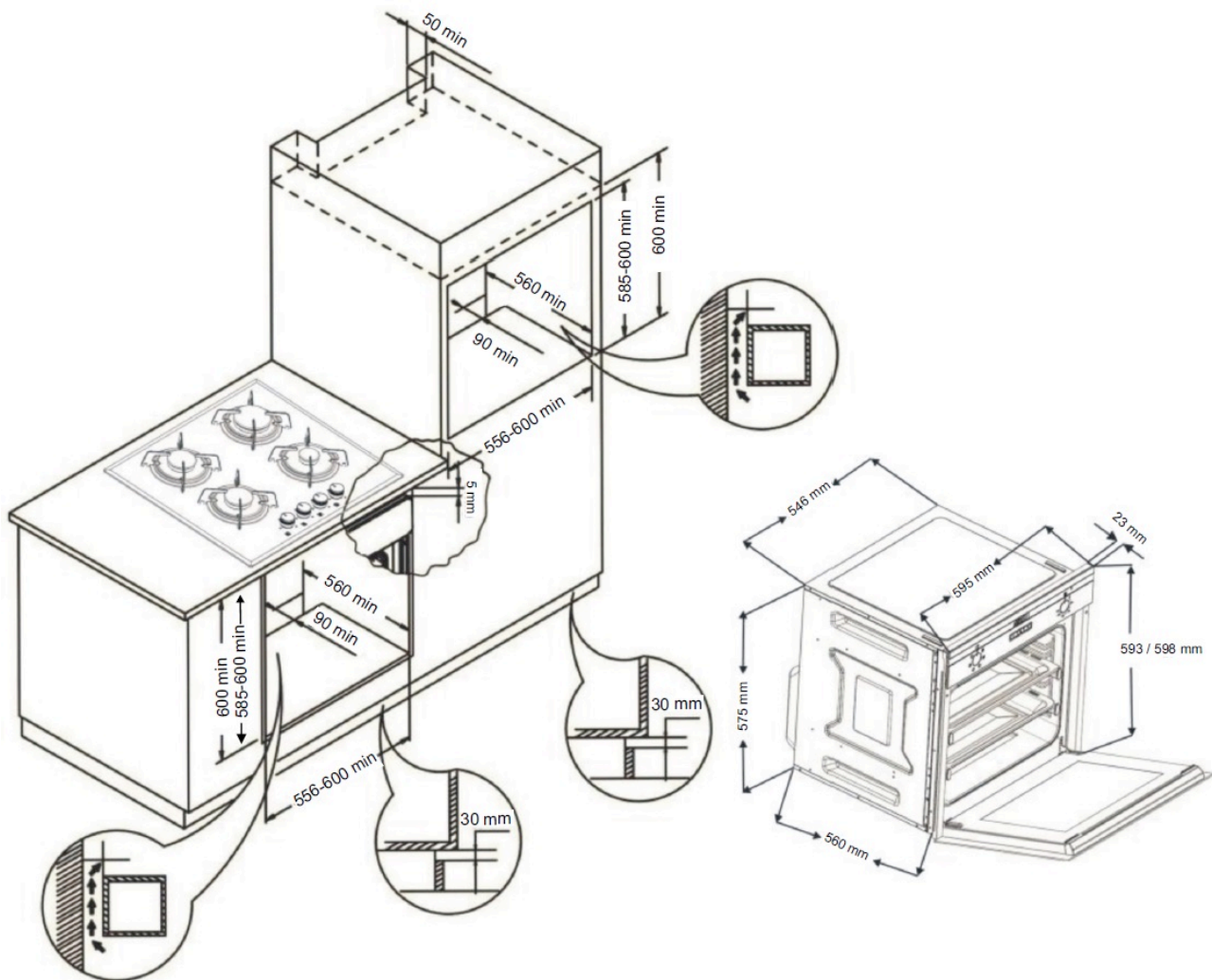
Ο φούρνος έχει σχεδιαστεί για να λειτουργεί με μονοφασικό ρεύμα 220-240V AC 50-60 Hz. Πριν την εγκατάσταση, διαβάστε προσεκτικά την ετικέτα εγγραφής που βρίσκεται στο κάτω μπροστινό μέρος του φούρνου.

ΜΟΝΤΕΛΟ	OVEN 731016 PK INOX ΦΟΥΡΝΟΣ 731016 PK INOX OVEN 731016 PK BLACK ΦΟΥΡΝΟΣ 731016 PK BLACK
Άνω αντίσταση	900 W
Κάτω αντίσταση	1200 W
Αντίσταση γκριλ	1800 W
Λάμπα φούρνου	25 W
Ανεμιστήρας ψύξης	22 W
Ανεμιστήρας Turbo	25 W
Εξωτερικές διαστάσεις φούρνου (Πλάτος, ύψος και βάθος)	595*595*560 mm
Διαστάσεις ντουλαπιού εντοιχισμού (Πλάτος, ύψος και βάθος)	600*600*570 mm
Ωφέλιμος όγκος εσωτερικού χώρου	73 L
Τάση	220-240 V AC 50-60 Hz
Μέγιστη ισχύς	2170 W

ΠΕΡΙΒΑΛΛΟΝΤΙΚΗ ΠΡΟΕΙΔΟΠΟΙΗΣΗ: Μετά την εγκατάσταση της συσκευής, πετάξτε τα υλικά συσκευασίας, δίνοντας τη δέουσα προσοχή στις συνθήκες ασφάλειας και περιβάλλοντος. Για επαναχρησιμοποίηση απορριμμάτων συσκευασίας, πετάξτε τα στα σχετικά κουτιά ανακύκλωσης ανάλογα με τα χαρακτηριστικά τους (αλουμινόχαρτο, χαρτόνι, φελιζόλ). Κατά την απόρριψη οποιουδήποτε ηλεκτρικού εξοπλισμού, καταστήστε τον άχρηστο κόβοντας το καλώδιο.

ΕΓΚΑΤΑΣΤΑΣΗ ΤΗΣ ΣΥΣΚΕΥΗΣ

Η εγκατάσταση πρέπει να γίνει από εξουσιοδοτημένο τεχνικό σύμφωνα με τις οδηγίες. Η εταιρεία μας δεν είναι υπεύθυνη για οποιαδήποτε ζημιά σε ανθρώπους, ζώα ή περιουσίες λόγω λανθασμένης εγκατάστασης.

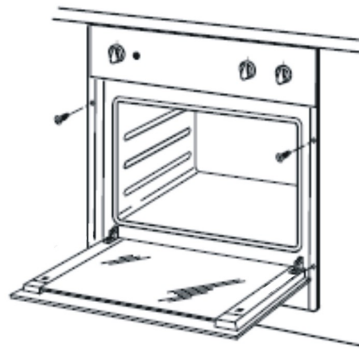


ΠΡΟΕΙΔΟΠΟΙΗΣΕΙΣ ΣΥΝΑΡΜΟΛΟΓΗΣΗΣ

- * Για να λειτουργεί σωστά ο εντοιχιζόμενος φούρνος, οι διαστάσεις και το υλικό του ντουλαπιού όπου θα τοποθετηθεί πρέπει να είναι σωστές και ανθεκτικές στην αύξηση της θερμοκρασίας. Συναρμολογήστε σύμφωνα με τις διαστάσεις που φαίνονται στο σχήμα 1.
- * Τα τοιχώματα του επίπλου στο οποίο είναι εγκατεστημένος ο φούρνος πρέπει να είναι ανθεκτικά στη θερμότητα. Ειδικά εάν τα πλαϊνά τοιχώματα είναι κατασκευασμένα από επικαλυμμένη μοριοσανίδα, η επίστρωση πρέπει να είναι ανθεκτική στους 100°C. Η μη ανθεκτική στη θερμότητα πλαστική ή αυτοκόλλητη επίστρωση μπορεί να παραμορφωθεί και να καταστραφεί.
- * Για λόγους ασφαλείας, είναι απαραίτητο να αποτραπεί η άμεση επαφή με τα ηλεκτρικά μέρη του φούρνου μετά την ολοκλήρωση της συναρμολόγησης.
- * Τα μέρη που παρέχουν μόνωση και προστασία πρέπει να τοποθετούνται με τέτοιο τρόπο ώστε να μην μπορούν να αφαιρεθούν με οποιοδήποτε εργαλείο.
- * Για να παρέχεται πιο αποτελεσματική κυκλοφορία αέρα, ο φούρνος θα πρέπει να τοποθετηθεί όπως στο **Σχήμα 1**.
- * Συνιστάται να αφήνετε ένα κενό τουλάχιστον 40 mm από το πίσω μέρος της μονάδας της κουζίνας όπου είναι εγκατεστημένος ο φούρνος.
- * Κατά την τοποθέτηση του φούρνου, θα πρέπει να τοποθετηθεί ένα στήριγμα κάτω από το φούρνο για να φέρει το βάρος του.
- * Για να παρέχεται πιο αποτελεσματική κυκλοφορία αέρα, το πίσω τμήμα του ντουλαπιού στη μονάδα της κουζίνας πρέπει να αφαιρεθεί.
- * Για να εγκαταστήσετε το φούρνο σας, εξασφαλίστε πρώτα το μέρος όπου θα εγκατασταθεί και την ηλεκτρική του εγκατάσταση. Στη συνέχεια, καλέστε το πλησιέστερο Εξουσιοδοτημένο Σέρβις.
- * Δεν συνιστάται η εγκατάσταση της συσκευής κοντά σε ψυγείο ή καταψύκτη, διαφορετικά η απόδοση των προαναφερόμενων συσκευών θα επηρεαστεί αρνητικά λόγω της ακτινοβολούμενης θερμότητας.

ΣΥΝΑΡΜΟΛΟΓΗΣΗ ΤΟΥ ΦΟΥΡΝΟΥ ΣΤΟ ΝΤΟΥΛΑΠΙ

- * Ανοίξτε την πόρτα του φούρνου, ευθυγραμμίστε τον φούρνο με τις τρύπες στα πλαϊνά του σώματός του, και τοποθετήστε τον στον πάγκο της κουζίνας με τις δύο ξύλινες βίδες που περιλαμβάνονται στο κιτ εγκατάστασης.
- * Τοποθετήστε τη συσκευή κεντράροντας την στο ντουλάπι.
- * Ο φούρνος μπορεί να εγκατασταθεί σε ψηλό ντουλάπι ή κάτω από τον πάγκο, ανάλογα με την προτίμηση.
- * Όταν μια ηλεκτρική εστία τοποθετείται στον πάγκο πάνω από το φούρνο, τα ηλεκτρικά καλώδια της εστίας και του φούρνου πρέπει να είναι ξεχωριστά μεταξύ τους για ασφάλεια και για διευκόλυνση της αφαίρεσης του φούρνου από την εστία όταν χρειάζεται.



ΗΛΕΚΤΡΙΚΗ ΣΥΝΔΕΣΗ

- * Η συσκευή πρέπει να συνδεθεί στο ρεύμα σύμφωνα με τους ισχύοντες νόμους και κανονισμούς και μόνο από εξουσιοδοτημένο ηλεκτρολόγο.
- * Βεβαιωθείτε ότι η τροφοδοσία από το δίκτυο θα ικανοποιεί την ισχύ που καθορίζεται στην ετικέτα χαρακτηριστικών που βρίσκεται στο μπροστινό μέρος της συσκευής.
- * Αν η τρέχουσα τιμή της ασφάλειας στο σπίτι σας είναι μικρότερη από 16 αμπέρ, συνδέστε μια ασφάλεια 16 αμπέρ με τη βοήθεια ενός εξουσιοδοτημένου ηλεκτρολόγου.

ΠΡΟΕΙΔΟΠΟΙΗΣΗ: Η συσκευή πρέπει να είναι οπωσδήποτε γειωμένη.

* Ένα βύσμα με γείωση είναι τοποθετημένο στο καλώδιο τροφοδοσίας του φούρνου σας. Αυτό το βύσμα πρέπει να χρησιμοποιείται σε γειωμένη γραμμή. Αναθέστε την εγκατάσταση γείωσης σε εξουσιοδοτημένο ηλεκτρολόγο.

Πριν την σύνδεση συσκευής στο ρεύμα:

- 1) Τοποθετήστε τον φούρνο έτσι ώστε να μπορείτε να έχετε εύκολη πρόσβαση στην πρίζα ή στον διπολικό διακόπτη που χρησιμοποιείται για την ηλεκτρική σύνδεση.
 - 2) Μην τοποθετείτε το ηλεκτρικό καλώδιο σε επαφή με καυτές επιφάνειες και μην το σφίγγετε στην πόρτα του φούρνου.
 - 3) Όταν το καλώδιο ρεύματος καταστραφεί, επικοινωνήστε με το πλησιέστερο εξουσιοδοτημένο σέρβις στην περιοχή σας. Ζητήστε από το εξουσιοδοτημένο σέρβις να το αντικαταστήσει με ένα νέο καλώδιο ίδιου μεγέθους με πλαστική μόνωση και ικανό να αντέχει το ηλεκτρικό ρεύμα που απαιτείται από το φούρνο.
- * Εάν η συσκευή πρόκειται να συνδεθεί απευθείας στην ηλεκτρική εγκατάσταση, θα πρέπει να εγκατασταθεί ένας διπολικός διακόπτης με ελάχιστη απόσταση 3 mm μεταξύ της συσκευής και της ηλεκτρικής εγκατάστασης και κατάλληλος για τη μεταφορά του επιθυμητού φορτίου σύμφωνα με την ισχύουσα νομοθεσία. Το καλώδιο γείωσης δεν πρέπει να κόβεται από τον διπολικό διακόπτη.
 - * Δεν συνιστάται η χρήση προσαρμογέων, πολλαπλών υποδοχών ή καλωδίων επέκτασης. Εάν είναι απολύτως απαραίτητο, μπορεί να χρησιμοποιηθεί προσαρμογέας ή καλώδιο επέκτασης σύμφωνα με τους ισχύοντες κανόνες ασφαλείας. Ωστόσο, μην υπερβαίνετε ποτέ τη μέγιστη ένταση ρεύματος και τη μέγιστη ισχύ που καθορίζονται για τον προσαρμογέα.
 - * Αφού ολοκληρωθεί η διαδικασία σύνδεσης, δοκιμάστε τα θερμαντικά στοιχεία του για 3 λεπτά.
 - * Η ηλεκτρική ασφάλεια της συσκευής είναι εγγυημένη μόνο όταν είναι σωστά συνδεδεμένη σε κατάλληλη πηγή και γειωμένη σύμφωνα με τους κανόνες. Η εταιρεία μας δεν είναι υπεύθυνη για τυχόν ζημιές σε ανθρώπους, ζώα ή περιουσίες που προκαλούνται από τη μη σωστή γείωση της συσκευής.



Σχήμα 2: Σύνδεση ηλεκτρικής πρίζας φούρνου

ΠΡΩΤΗ ΛΕΙΤΟΥΡΓΙΑ:

1. Ρυθμίστε τη θερμοκρασία στο μέγιστο επίπεδο (250°C MAX)
2. Περιστρέψτε το κομβίο επιλογής λειτουργίας στη θέση Άνω και Κάτω Αντίσταση (και Ανεμιστήρας εάν είναι διαθέσιμος).
3. Λειτουργήστε το φούρνο άδειο κατ' αυτόν τον τρόπο για 30 λεπτά.
4. Ανοίξτε το παράθυρα για καλύτερη κυκλοφορία του αέρα.

* Κατά τη διάρκεια αυτής της περιόδου, μπορεί να εμφανιστεί μια μυρωδιά και καπνός στον φούρνο σας λόγω των μονωτικών υλικών και των θερμαντικών στοιχείων. Αν συμβεί κάτι τέτοιο, απλώς περιμένετε να εξαφανιστούν η μυρωδιά και ο καπνός πριν βάλετε το φαγητό στο φούρνο.

* Στη συνέχεια, καθαρίστε το εσωτερικό του φούρνου με ένα ελαφρώς υγρό μαλακό πανί με σαπούνι.

ΣΗΜΑΝΤΙΚΟ: Για να ανοίξετε την πόρτα του φούρνου, πιάνετε πάντα το μεσαίο τμήμα της λαβής.

ΠΡΟΕΙΔΟΠΟΙΗΣΗ: Πριν χρησιμοποιήσετε το φούρνο για πρώτη φορά, πλύνετε προσεκτικά τα εξαρτήματα, όπως δίσκους και σχάρα.

ΠΡΟΕΙΔΟΠΟΙΗΣΗ: Όταν χρησιμοποιείτε τη σχάρα τα προσβάσιμα μέρη μπορεί να είναι ζεστά. Τα παιδιά πρέπει να μένουν μακριά.

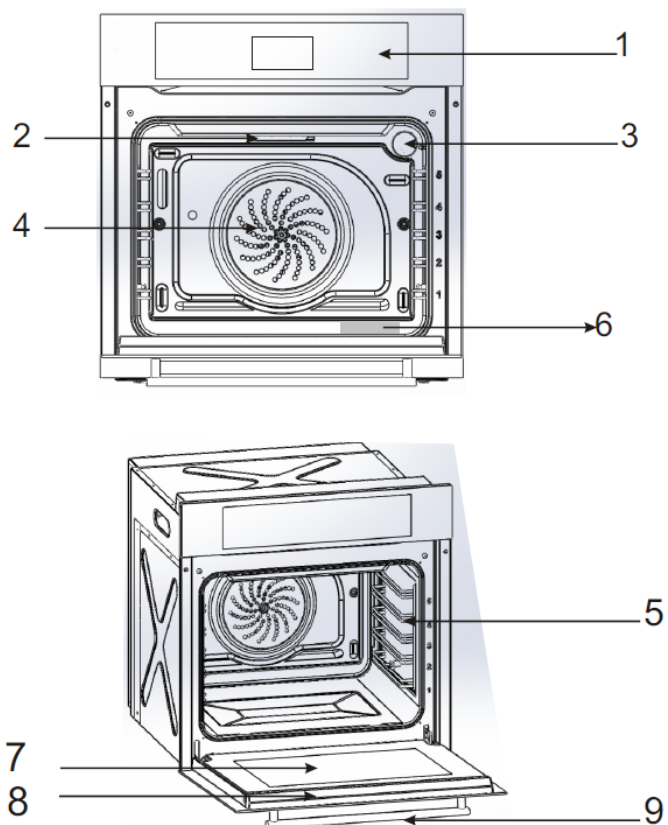
ΠΡΟΕΙΔΟΠΟΙΗΣΗ: Εάν η επιφάνεια είναι ραγισμένη, απενεργοποιήστε τη συσκευή για να αποφύγετε την πιθανότητα ηλεκτροπληξίας.

ΠΡΟΕΙΔΟΠΟΙΗΣΗ: Για να αποφύγετε την πιθανότητα ηλεκτροπληξίας, βεβαιωθείτε ότι το η συσκευή είναι απενεργοποιημένη πριν αντικαταστήσετε τη λάμπα.

ΕΝΕΡΓΕΙΑΚΗ ΑΠΟΔΟΣΗ ΦΟΥΡΝΟΥ

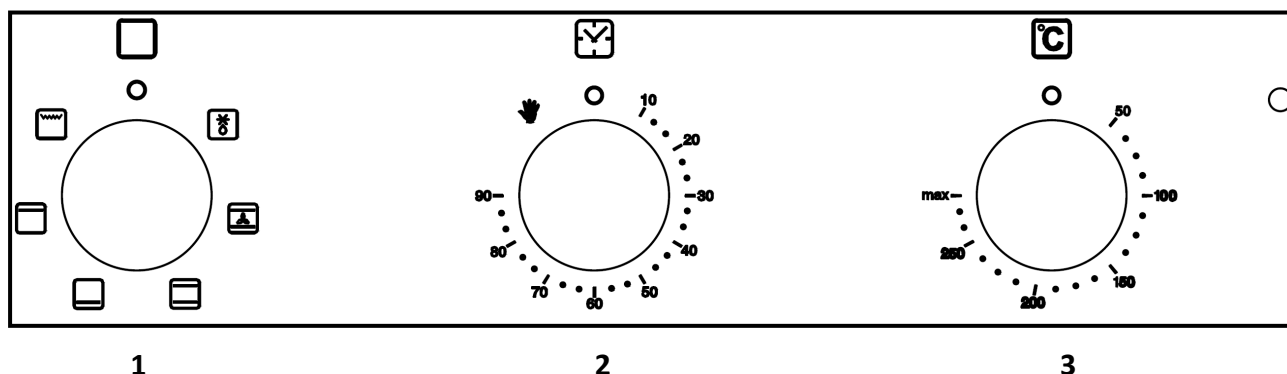
- Θα πρέπει να προτιμώνται φούρνοι υψηλής αποδοτικότητας ηλεκτρικής ενέργειας και θερμομόνωσης.
- Ανοίγοντας συχνά την πόρτα του φούρνου, κατά τη διάρκεια του μαγειρέματος, προκαλείται ροή κρύου αέρα στο φούρνο κάθε φορά, με αποτέλεσμα την απώλεια ενέργειας. Για το λόγο αυτό, η πόρτα του φούρνου δεν πρέπει να ανοίγει περισσότερο από όσο χρειάζεται.
- Προσπαθήστε να μαγειρεύετε περισσότερα από ένα γεύμα στο φούρνο. Αφαιρέστε το φαγητό που έχει μαγειρευτεί σε χαμηλότερη θερμοκρασία, πριν από τα υπόλοιπα, ώστε να καταναλώνεται λιγότερη ενέργεια χωρίς να αλλάξετε τη θερμοκρασία του φούρνου.
- Η υπολειπόμενη θερμότητα που απομένει, μετά το μαγείρεμα, στο φούρνο μπορεί να χρησιμοποιηθεί για επόμενο γεύμα. Αυτό θα εξοικονομήσει ενέργεια.
- Η προθέρμανση του φούρνου πρέπει να γίνεται για μικρό χρονικό διάστημα (το πολύ 10 λεπτά).
- Τα κατεψυγμένα τρόφιμα πρέπει να αποψύχονται πριν τα ψήσετε στο φούρνο.
- Δεν πρέπει να φυλάσσονται εύφλεκτα υλικά, γύρω από τον φούρνο, που μπορούν εύκολα να αναφλεγούν.
- Οι φούρνοι πρέπει να εγκαθίστανται σε θέση μακριά από εύφλεκτα περιβάλλοντα.
- Για χαμηλότερη κατανάλωση ενέργειας, σβήστε το φούρνο λίγα λεπτά πριν το τέλος του μαγειρέματος. Έτσι, το μαγείρεμα θα συνεχιστεί με την τρέχουσα υπολειπόμενη θερμοκρασία.

ΠΕΡΙΓΡΑΦΗ ΦΟΥΡΝΟΥ



- 1) Πίνακας ελέγχου
- 2) Άνω αντίσταση φούρνου
- 3) Λαμπτήρας
- 4) Ανεμιστήρας turbo
- 5) Πλαϊνή σχάρα
- 6) Ετικέτα προϊόντος
- 7) Κρύσταλλο φούρνου
- 8) Πόρτα φούρνου
- 9) Λαβή

ΧΡΗΣΗ ΦΟΥΡΝΟΥ



1. ΚΟΜΒΙΟ ΕΠΙΛΟΓΗΣ ΛΕΙΤΟΥΡΓΙΩΝ: Περιστρέψτε το κομβίο για να επιλέξετε τη λειτουργία που θέλετε να χρησιμοποιήσετε ενώ λειτουργεί ο φούρνος.


2. ΜΗΧΑΝΙΚΟΣ ΧΡΟΝΟΔΙΑΚΟΠΤΗΣ: Διαβάστε τις οδηγίες που ακολουθούν.

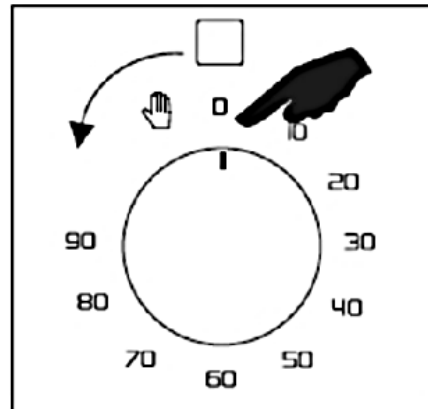
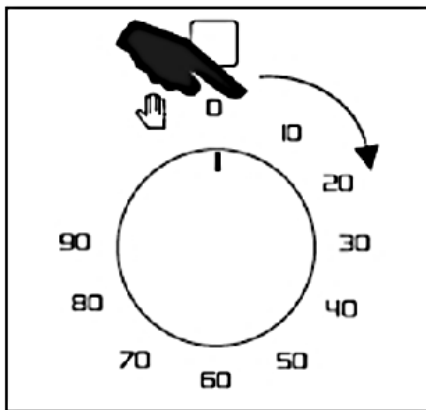
3. ΚΟΜΒΙΟ ΡΥΘΜΙΣΗΣ ΘΕΡΜΟΚΡΑΣΙΑΣ: Χρησιμοποιείται για τη ρύθμιση της θερμοκρασίας μαγειρέματος μεταξύ 50-250°C, ενώ ο φούρνος βρίσκεται σε λειτουργία.

	ΘΕΣΗ ΚΛΕΙΣΤΗ (OFF): Το προϊόν δεν θα λειτουργήσει σε αυτή τη θέση.
	ΛΕΙΤΟΥΡΓΙΑ ΑΠΟΨΥΞΗΣ: Σε αυτή τη θέση, λειτουργεί μόνο ο ανεμιστήρας turbo, ο οποίος κυκλοφορεί τον αέρα σε θερμοκρασία δωματίου γύρω από τα κατεψυγμένα τρόφιμα για να τα ξεπαγώσει.
	ΑΕΡΑΣ + ΛΕΙΤΟΥΡΓΙΑ ΑΝΩ & ΚΑΤΩ ΑΝΤΙΣΤΑΣΗΣ: Ο ζεστός αέρας κυκλοφορεί στο φούρνο και εξασφαλίζει πιο ομοιογενές μαγείρεμα. Χρησιμοποιείται για φαγητά που επιθυμούμε να είναι μαλακά στο εσωτερικό τους και τραγανά στο εξωτερικό τους.
	ΛΕΙΤΟΥΡΓΙΑ ΠΑΝΩ & ΚΑΤΩ ΑΝΤΙΣΤΑΣΗΣ : Χρησιμοποιείται κυρίως για μαγείρεμα σε ένα ταψί. Και οι δύο πλευρές του φαγητού είναι το ίδιο ροδισμένες και τραγανές.
	ΛΕΙΤΟΥΡΓΙΑ ΚΑΤΩ ΑΝΤΙΣΤΑΣΗΣ: Μόνο η κάτω αντίσταση είναι ενεργή. Για φαγητό που πρέπει να ψηθεί από κάτω. Χρησιμοποιείται για το ζέσταμα φαγητών που μαγειρεύονται σε αργά για μεγάλο χρονικό διάστημα, όπως το γιουβέτσι.
	ΛΕΙΤΟΥΡΓΙΑ ΑΝΩ ΑΝΤΙΣΤΑΣΗΣ: Μόνο η άνω αντίσταση είναι ενεργή. Χρησιμοποιείται ως επί το πλείστον για να ψήνει περισσότερο το πάνω μέρος των μαγειρεμένων φαγητών και να ζεσταίνει ήδη μαγειρεμένα γεύματα.
	ΓΚΡΙΛ: Χρησιμοποιείται για το ψήσιμο και το τηγάνισμα μικρών μερίδων φαγητού. Είναι κατάλληλο για το μαγείρεμα κρεάτων όπως λουκάνικα και μπριζόλες. Τοποθετήστε το κρέας απευθείας στη σχάρα και ψήστε το, τοποθετώντας από κάτω το βαθύ ταψί.

ΧΡΗΣΗ ΜΗΧΑΝΙΚΟΥ ΧΡΟΝΟΔΙΑΚΟΠΤΗ

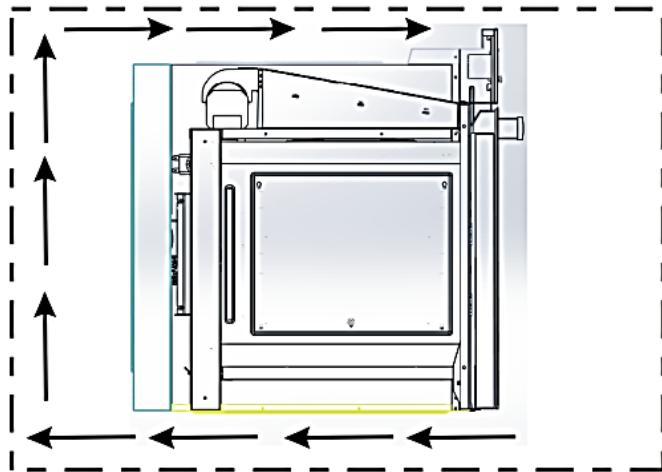
Μπορείτε να ρυθμίσετε το χρονοδιακόπτη έως και 90 λεπτά περιστρέφοντας δεξιόστροφα το κομβίο του. Ο φούρνος θα λειτουργήσει για την καθορισμένη διάρκεια και θα απενεργοποιηθεί αυτόματα όταν τελειώσει ο χρόνος. Ρυθμίστε τα κομβία λειτουργίας και θερμοκρασίας, αφού τοποθετήσετε το γεύμα στο εσωτερικό του φούρνου, και ρυθμίστε το κομβίο του μηχανικού χρονοδιακόπτη στη θέση που επιθυμείτε. Ο χρονοδιακόπτης θα ηχήσει και ο φούρνος θα σβήσει αυτόματα όταν παρέλθει ο προκαθορισμένος χρόνος. Με τον χρονοδιακόπτη, η διάρκεια λειτουργίας του φούρνου μπορεί να ρυθμιστεί σε έως και 90 λεπτά. Μπορείτε να ρυθμίσετε μεγαλύτερους χρόνους μαγειρέματος χειροκίνητα.

Για χειροκίνητη χρήση, γυρίστε το κομβίο του χρονοδιακόπτη αριστερόστροφα στη θέση με το σύμβολο . Ο φούρνος σας θα αρχίσει να λειτουργεί σε αυτή τη θέση. Θα συνεχίσει να λειτουργεί κατά τη διάρκεια της επιλογής σας. Γυρίστε το κομβίο του χρονοδιακόπτη δεξιόστροφα όταν θέλετε να τερματίσετε το μαγείρεμα. Ο φούρνος σας θα σβήσει όταν ακουστεί ένας ήχος.



ΑΝΕΜΙΣΤΗΡΑΣ ΨΥΞΗΣ

Η υπερθέρμανση της εξωτερικής επιφάνειας του φούρνου και η καταστροφή της περιμέτρου του αποτρέπεται από τον ανεμιστήρα ψύξης του συστήματος εξαερισμού. Αυτός ο ανεμιστήρας δημιουργεί έναν εξαερισμό που επιτρέπει την εκκένωση ζεστού αέρα από τα πλέγματα (ανοίγματα εξαερισμού). Η θερμότητα που εκπέμπεται πάνω από τον φούρνο εμποδίζει την αναθέρμανση του φούρνου, αποτρέπει επίσης την υπερθέρμανση του πίνακα ελέγχου και του καλύμματος και των εξαρτημάτων δημιουργώντας μια αεροκουρτίνα. Ο αερισμός του ανεμιστήρα ψύξης αποτρέπει τη συγκέντρωση υδρατμών στα ηλεκτρικά και μηχανικά εξαρτήματα και τα καθιστά ασφαλέστερα και ανθεκτικά. Ο ανεμιστήρας ψύξης ενεργοποιείται και απενεργοποιείται από τον θερμοστάτη. Εφόσον ο ανεμιστήρας ψύξης λειτουργεί με βάση τη θερμοκρασία του φούρνου, θα λειτουργεί για ένα χρονικό διάστημα, ακόμα κι αν ο φούρνος είναι απενεργοποιημένος και σταματήσει αυτόματα.

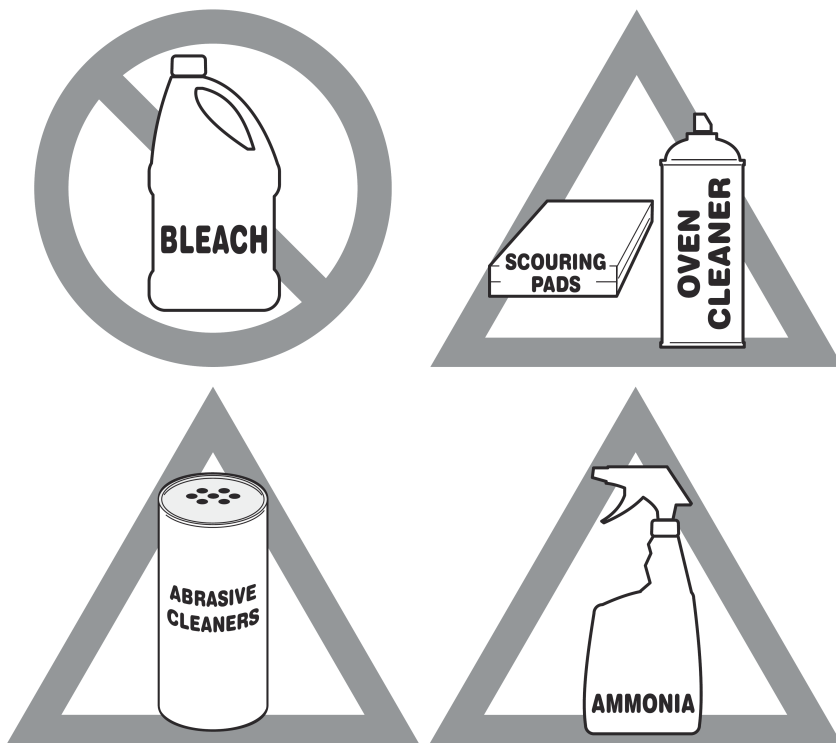


ΚΑΘΑΡΙΣΜΟΣ ΚΑΙ ΣΥΝΤΗΡΗΣΗ ΤΗΣ ΣΥΣΚΕΥΗΣ

Καθαρίστε τις διαρροές και τη μεγάλη βρωμιά το συντομότερο δυνατό. Ο τακτικός καθαρισμός θα μειώσει την ταλαιπωρία των μεγάλων καθαρισμών αργότερα.

ΠΡΟΣΟΧΗ!

- Πριν καθαρίσετε οποιοδήποτε μέρος της συσκευής, βεβαιωθείτε ότι όλα τα κουμπιά ελέγχου είναι απενεργοποιημένα και ότι η συσκευή είναι κρύα.
- Εάν χρησιμοποιείται αμμωνία ή καθαριστικά συσκευών, πρέπει να αφαιρεθούν και να ξεπλυθούν πριν τεθεί σε λειτουργία η συσκευή. Ακολουθήστε τις οδηγίες του κατασκευαστή και παρέχετε επαρκή αερισμό στο χώρο.



Σχήμα 3: Χρησιμοποιήστε προσεκτικά τα καθαριστικά.

Αλουμίνιο και υλικά βινυλίου

Χρησιμοποιώντας ένα μαλακό πανί, καθαρίστε με ήπιο σαπούνι πιάτων και νερό. Ξεπλύνετε με καθαρό νερό, στεγνώστε και γυαλίστε με ένα απαλό, καθαρό πανί.

Βαμμένα πλαστικά κομβία, Βαμμένα εξαρτήματα συσκευής & Βαμμένα διακοσμητικά καλύμματα

Χρησιμοποιώντας ένα μαλακό πανί, καθαρίστε με ένα ήπιο σαπούνι πιάτων και νερό ή ένα διάλυμα 50/50 ξιδιού και νερού. Ξεπλύνετε με καθαρό νερό, στεγνώστε και γυαλίστε με ένα απαλό, καθαρό πανί. Μπορείτε να χρησιμοποιήσετε καθαριστικά τζαμιών, αλλά μην τα εφαρμόζετε απευθείας στην επιφάνεια. Ψεκάστε το πανί και σκουπίστε.

Πίνακας Ελέγχου

Χρησιμοποιώντας ένα μαλακό πανί, καθαρίστε με ένα ήπιο σαπούνι πιάτων και νερό ή ένα διάλυμα 50/50 ξιδιού και νερού. Μην ψεκάζετε υγρά απευθείας στον πίνακα ελέγχου και την επιφάνεια του φούρνου. Μην χρησιμοποιείτε μεγάλες ποσότητες νερού στον πίνακα ελέγχου - η υπερβολική ποσότητα νερού στην περιοχή μπορεί να βλάψει τη συσκευή. Μην χρησιμοποιείτε άλλα υγρά καθαριστικά, λειαντικά καθαριστικά, επιθέματα καθαρισμού ή χαρτοπετσέτες - θα καταστρέψουν την επίστρωση.

Κομβία ελέγχου

Χρησιμοποιώντας ένα μαλακό πανί, καθαρίστε με ένα ήπιο σαπούνι πιάτων και νερό ή ένα διάλυμα 50/50 ξιδιού και νερού. Για να αφαιρέσετε τα κομβία ελέγχου: Απενεργοποιήστε, πιάστε σταθερά και τραβήξτε τα από τον άξονα. Για να επανατοποθετήσετε τα κομβία μετά τον καθαρισμό, ευθυγραμμίστε τα στο σημείο που βρίσκεται η ένδειξη ΚΛΕΙΣΤΟ (OFF) και πιέστε τα κομβία στη θέση τους.

Ανοξείδωτο ατσάλι

Χρησιμοποιώντας ένα μαλακό πανί, καθαρίστε με ένα ήπιο σαπούνι πιάτων και νερό ή ένα διάλυμα 50/50 ξιδιού και νερού. Ξεπλύνετε με καθαρό νερό, στεγνώστε με ένα απαλό καθαρό πανί. Μην χρησιμοποιείτε λειαντικά καθαριστικά που περιέχουν χλωρίδιο, χλώριο ή αμμωνία.

Ανοξείδωτο ατσάλι με Anti-Spot επίστρωση & Μαύρο ανοξείδωτο ατσάλι

Χρησιμοποιώντας ένα μαλακό πανί, καθαρίστε με ένα ήπιο σαπούνι πιάτων και νερό ή ένα διάλυμα 50/50 ξιδιού και νερού. Ξεπλύνετε με καθαρό νερό, στεγνώστε με ένα απαλό καθαρό πανί. Μην χρησιμοποιείτε καθαριστικά συσκευών, καθαριστικά από ανοξείδωτο ατσάλι ή καθαριστικά που περιέχουν λειαντικά, χλωρίδια, χλώριο ή αμμωνία. Αυτά τα καθαριστικά μπορεί να καταστρέψουν την επίστρωση.

Σχάρα και εξαρτήματα, Εμαγιέ επικάλυψη πόρτας φούρνου & Εμαγιέ εξαρτήματα φούρνου

Ξεπλύνετε με καθαρό νερό και στεγνώστε με ένα υγρό πανί. Τρίψτε απαλά με μη λειαντικό πανί καθαρισμού και σαπουνόνερο, για να αφαιρέσετε τους περισσότερους λεκέδες. Ξεπλύνετε με διάλυμα 50/50 καθαρού νερού και αμμωνίας. Εάν είναι απαραίτητο, καλύψτε τα δύσκολα σημεία με μια χαρτοπετσέτα εμποτισμένη με αμμωνία για 30 έως 40 λεπτά. Ξεπλύνετε και στεγνώστε με ένα καθαρό πανί. Αφαιρέστε όλα τα καθαριστικά, διαφορετικά η θέρμανση του φούρνου μπορεί να καταστρέψει το εμαγιέ του με την πάροδο του χρόνου. Μην αφήνετε τις διαρροές τροφίμων με υψηλή περιεκτικότητα σε ζάχαρη ή οξύ (γάλα, ντομάτες, ξινολάχανο, χυμοί ή γεμίσεις πίτσας) να παραμείνουν στις εμαγιέ επιφάνειες. Αυτές οι διαρροές μπορούν να αφήσουν έναν θαμπό λεκέ ακόμα και μετά τον καθαρισμό.

Πόρτα Φούρνου

Χρησιμοποιήστε ήπιο σαπούνι πιάτων και νερό ή διάλυμα ξιδιού και νερού 50/50 για να καθαρίσετε το πάνω μέρος, τα πλαϊνά και το μπροστινό μέρος της πόρτας του φούρνου. Ξεπλύνετε καλά. Καθαριστικό τζαμιών μπορεί να χρησιμοποιηθεί για τον καθαρισμό του εξωτερικού τζαμιού της πόρτας του φούρνου. Κεραμικό καθαριστικό λείας επιφάνειας ή γυαλιστικό μπορεί να χρησιμοποιηθεί στο εσωτερικό τζάμι της πόρτας του φούρνου. Μην βυθίζετε το κάλυμμα απευθείας στο νερό. Μην ψεκάζετε και μην αφήνετε νερό ή καθαριστικά να εισχωρούν στα ανοίγματα της πόρτας του φούρνου. Μην χρησιμοποιείτε καθαριστικά φούρνου,

σκόνες καθαρισμού ή σκληρά λειαντικά καθαριστικά στο εξωτερικό της πόρτας του φούρνου. Μην καθαρίζετε το λάστιχο της πόρτας του φούρνου. Μην τρίβετε, αφαιρείτε ή καταστρέφετε αυτό το λάστιχο.

Αφαίρεση των πλαϊνών σχαρών του φούρνου

Μπορείτε να αφαιρέσετε και να καθαρίσετε εύκολα τα πλαϊνά συρμάτινα ράφια όπου τοποθετούνται η σχάρα και τα ταψιά. Για να γίνει αυτό προχωρήστε όπως φαίνεται στην παρακάτω εικόνα.



Κρύσταλλο Φούρνου

Καθαρίστε και στεγνώστε με μαλακά σφουγγάρια και πανιά.

Λάστιχο Φούρνου

* Όταν ο φούρνος χρησιμοποιείται για μεγάλο χρονικό διάστημα, μπορεί να εμφανιστεί συμπύκνωση υδρατμών στο εσωτερικό της μπροστινής πόρτας και στη φλάντζα της πόρτας.

Αφαιρέστε τυχόν υγρασία που μπορεί να εμφανιστεί με ένα στεγνό πανί ή σφουγγάρι.

* Ελέγχετε την κατάσταση αυτής της φλάντζας ανά τακτά χρονικά διαστήματα. Καθαρίστε χωρίς να χρησιμοποιήσετε τα απαραίτητα λειαντικά καθαριστικά.

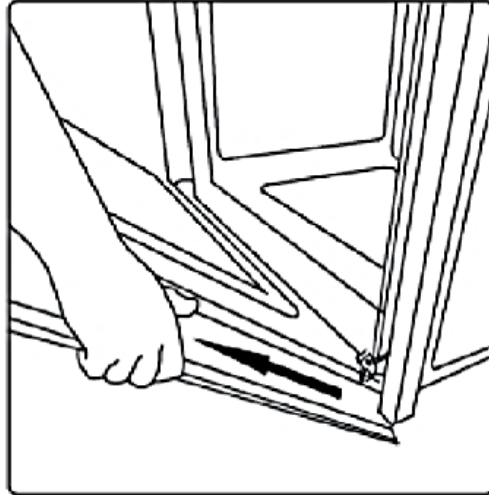
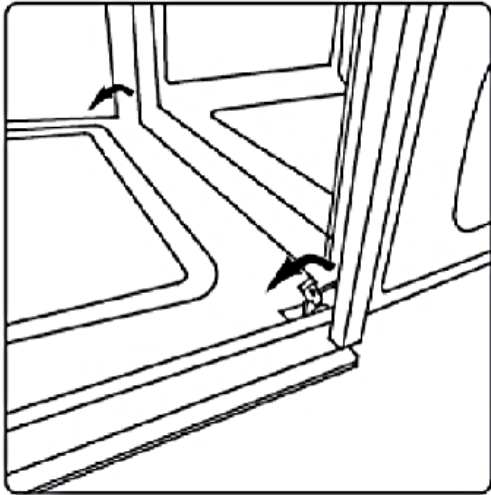
* Όταν η φλάντζα είναι κατεστραμμένη, επικοινωνήστε με το πλησιέστερο εξουσιοδοτημένο σέρβις στην περιοχή σας. Μην χρησιμοποιείτε το φούρνο μέχρι να επισκευαστεί.

Αφαίρεση Πόρτας Φούρνου

Μπορείτε να αφαιρέσετε εύκολα την πόρτα του φούρνου και να την καθαρίσετε. Για να την αφαιρέσετε, πρέπει να ακολουθήσετε τα παρακάτω βήματα:

- * Ανοίξτε τελείως την πόρτα.
- * Τραβήξτε προς τα πίσω τους 2 μεντεσέδες που φαίνονται στην εικόνα.
- * Κρατήστε την πόρτα και κλείστε την μέχρι το πρώτο στοπ.
- * Τραβήξτε την ανυψωμένη πόρτα από το σημείο που είναι τοποθετημένη.

Για να επανατοποθετήσετε σωστά την πόρτα του φούρνου που αφαιρέσατε, τοποθετήστε σωστά τους μεντεσέδες και χαμηλώστε τους.



Αντικατάσταση λάμπας φούρνου

* Πριν εκτελέσετε αυτήν την ενέργεια, βεβαιωθείτε ότι δεν υπάρχει ρεύμα στη συσκευή.

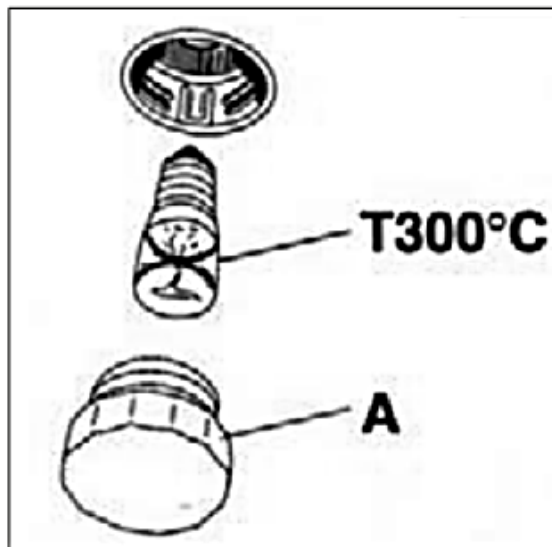
* Ο λαμπτήρας του φούρνου πρέπει να έχει τα ακόλουθα χαρακτηριστικά:

- Ανθεκτικό σε υψηλές θερμοκρασίες (έως 300°C)
- Ηλεκτρικές τιμές: 220-240V AC 50-60 Hz
- Ισχύς: 25W
- Τύπος σύνδεσης E14

* Ο λαμπτήρας του φούρνου πρέπει να αλλάξει όπως στην παρακάτω εικόνα:

- Πιέστε το γυάλινο κάλυμμα και γυρίστε το αριστερόστροφα
- Αφαιρέστε την καμένη λάμπα
- Τοποθετήστε τη νέα λάμπα
- Τοποθετήστε το γυάλινο κάλυμμα
- Ενεργοποιήστε την παροχή ρεύματος της συσκευής.

ΣΗΜΑΝΤΙΚΟ: Εάν αποφασίσετε να μην χρησιμοποιήσετε ξανά τη συσκευή, αποσυνδέστε τη συσκευή από την πρίζα. Οι αχρησιμοποίητες συσκευές ενέχουν κίνδυνο για την ασφάλεια των παιδιών. Επομένως, κρατήστε το φούρνο μακριά από παιδιά.



ΔΙΑΦΟΡΕΣ ΠΡΟΤΑΣΕΙΣ

ΠΡΟΒΛΗΜΑ	ΑΙΤΙΑ	ΛΥΣΗ
Η πάνω πλευρά του φαγητού είναι πολύ ψημένη, ενώ η κάτω πλευρά είναι λίγο ψημένη.	Το επίπεδο θερμότητας από το κάτω μέρος είναι χαμηλό.	Μπορεί να είναι λάθος το ράφι μαγειρέματος. Το ταψί πρέπει να τοποθετηθεί σε χαμηλότερο ράφι.
Η κάτω πλευρά του φαγητού είναι πολύ ψημένη, ενώ η πάνω πλευρά είναι λίγο ψημένη.	Το επίπεδο θερμότητας από πάνω μέρος είναι χαμηλό.	Μπορεί να είναι λάθος το ράφι μαγειρέματος. Το ταψί πρέπει να τοποθετηθεί σε ψηλότερο ράφι.
Το εξωτερικό του φαγητού έχει ψηθεί, αλλά το εσωτερικό όχι.	Υψηλή θερμοκρασία	Λάθος θερμοκρασία ψησίματος, χαμηλώστε τη θερμοκρασία.
Το εξωτερικό του φαγητού είναι ξερό.	Χαμηλή θερμοκρασία	Λάθος θερμοκρασία ψησίματος, αυξήστε τη θερμοκρασία.

ΟΔΗΓΙΕΣ ΜΑΓΕΙΡΕΜΑΤΟΣ

Για να επιτύχετε τέλεια αποτελέσματα τηγανίσματος, ο φούρνος θα πρέπει να προθερμανθεί στην προκαθορισμένη θερμοκρασία μαγειρέματος. Μόνο πολύ λιπαρά κρέατα μπορούν να μαγειρευτούν, ξεκινώντας από μη προθερμασμένο φούρνο. Ποτέ μην χρησιμοποιείτε ρηγά ταψιά για το ψήσιμο, ούτως ώστε να λερώνονται τα τοιχώματα του φούρνου όσο το δυνατόν λιγότερο, να αποφεύγεται το πιτσίλισμα του λαδιού, το κάψιμο του φαγητού και για να αποφεύγεται η δημιουργία καπνού.

ΑΕΡΟΘΕΡΜΟ ΨΗΣΙΜΟ

Αυτή η λειτουργία δημιουργεί μια συνεχή κυκλοφορία ζεστού αέρα που επιτρέπει το ταυτόχρονο μαγείρεμα σε δύο ράφια. Οι θερμοκρασίες πρέπει να είναι χαμηλότερες από τις θερμοκρασίες του παραδοσιακού ψησίματος.






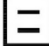






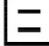



ΠΑΡΑΔΟΣΙΑΚΟ ΨΗΣΙΜΟ

Αυτή η λειτουργία είναι ιδιαίτερα κατάλληλη για το ψήσιμο και το ψήσιμο ψωμιού και κέικ. Συνιστάται να βάζετε το φαγητό που πρόκειται να μαγειρέψετε στο φούρνο, όταν ο φούρνος έχει φτάσει στη θερμοκρασία ψησίματος, δηλαδή όταν σβήσει η λυχνία του θερμοστάτη.

ΧΡΟΝΟΙ ΜΑΓΕΙΡΕΜΑΤΟΣ

Ο παρακάτω πίνακας δείχνει μερικά παραδείγματα της ρύθμισης του θερμοστάτη και του χρόνου μαγειρέματος. Οι χρόνοι μαγειρέματος μπορεί να ποικίλλουν ανάλογα με τη φύση του φαγητού, την ομοιομορφία και τον όγκο του.

Είμαστε βέβαιοι ότι η εμπειρία σας θα προτείνει σύντομα πιθανές παραλλαγές στις τιμές που εμφανίζονται στον πίνακα.

				
F				
°C	160-200	160-180	210-220	230-250
€€	2 - 3	2	2	4
🕒	30' - 50'	20' - 40'	45' - 60'	14' - 18'
				
F				
°C	225-250	180-210	160-180	190-210
€€	2	2 - 3	2	2
🕒	120' - 150'	75' - 160'	45' - 60'	40' - 50'

ΠΛΗΡΟΦΟΡΙΕΣ ΓΙΑ ΤΗ ΜΕΤΑΦΟΡΑ ΤΗΣ ΣΥΣΚΕΥΗΣ

- Φυλάξτε την συσκευασία του φούρνου.
- Μεταφέρετε το προϊόν στην αρχική του συσκευασία.
- Ακολουθήστε τις σημάνσεις μεταφοράς επάνω στη συσκευασία

Εάν δεν έχετε την αρχική συσκευασία:

- Να είστε προσεκτικοί από κρούσεις στις εξωτερικές επιφάνειες του προϊόντος σας. Μην τοποθετείτε βαριά φορτία πάνω του.

- Κατά τη μεταφορά, κρατήστε/τοποθετήστε το προϊόν προς τα πάνω παράλληλα με το έδαφος (η επάνω πλευρά στραμμένη προς τα επάνω).

ΕΝΕΡΓΕΙΕΣ ΠΟΥ ΠΡΕΠΕΙ ΝΑ ΓΙΝΟΥΝ ΠΡΙΝ ΚΑΛΕΣΤΕ ΕΞΟΥΣΙΟΔΟΤΗΜΕΝΟ ΣΕΡΒΙΣ

* Εάν ο φούρνος δεν θερμαίνεται, η συσκευή σας μπορεί να μην είναι συνδεδεμένη στη γειωμένη πρίζα, η ασφάλεια μπορεί να έχει καεί ή ο χρονοδιακόπτης να μην έχει ρυθμιστεί σε μοντέλα με χρονοδιακόπτη.

* Εάν ο φούρνος δεν λειτουργεί: Ο επιλογέας λειτουργιών έχει ρυθμιστεί στην επιθυμητή λειτουργία;

Έχει ρυθμιστεί η θερμοκρασία με το κομβίο ελέγχου θερμοκρασίας του φούρνου;

Έχει καεί η ασφάλεια ή η κύρια ασφάλεια της πρίζας, στην οποία είναι συνδεδεμένος ο φούρνος;

* Εάν η εσωτερικός λαμπτήρας δεν είναι αναμμένος: Υπάρχει ρεύμα; Μπορεί η λάμπα να είναι ελαττωματική; Εάν ναι, αντικαταστήστε την σύμφωνα με το εγχειρίδιο.

* Μαγείρεμα (αν το πάνω/κάτω μέρος δεν μαγειρεύεται ομοιόμορφα).

Ελέγξτε τις θέσεις των ραφιών, τον χρόνο μαγειρέματος και τη θερμοκρασία σύμφωνα με τις οδηγίες χρήσης.

ΣΕ ΠΕΡΙΠΤΩΣΗ ΠΟΥ ΣΥΝΕΧΙΖΕΤΕ ΝΑ ΑΝΤΙΜΕΤΩΠΙΣΤΕ ΠΡΟΒΛΗΜΑ ΜΕ ΤΟ ΠΡΟΪΟΝ ΣΑΣ, ΕΠΙΚΟΙΝΩΝΗΣΤΕ ΤΗΝ ΕΞΟΥΣΙΟΔΟΤΗΜΕΝΗ ΕΞΥΠΗΡΕΤΗΣΗ ΠΕΛΑΤΩΝ.

ΕΞΥΠΗΡΕΤΗΣΗ ΠΕΛΑΤΩΝ ΚΑΙ ΕΓΓΥΗΣΗ

Η νέα σας συσκευή έχει εγγύηση 2 ετών για ηλεκτρικές ή μηχανικές βλάβες. Η εγγύηση της συσκευής σας ακυρώνεται υπό τις ακόλουθες προϋποθέσεις:

- α) Σφάλματα που προκαλούνται από λανθασμένη εγκατάσταση και χρήση της συσκευής.
- β) Σφάλματα που προκαλούνται από οποιονδήποτε άλλο εκτός από εξουσιοδοτημένα άτομα να παρεμβαίνει στο μηχάνημα ή να προσπαθεί να το επισκευάσει.
- γ) Σε περίπτωση προβλημάτων που προκύπτουν από τη συναρμολόγηση οποιουδήποτε εξαρτήματος στη συσκευή, εκτός των εξαρτημάτων που παρέχονται από τον κατασκευαστή.
- δ) Σε περίπτωση προβλημάτων που προκύπτουν από χρήσεις εκτός σπιτιού ή ασυνήθιστη ή μη φυσιολογική χρήση.
- ε) Σε περίπτωση προβλημάτων που προκύπτουν από λάθος τάση.
- στ) Σε περίπτωση προβλημάτων που προκύπτουν από λανθασμένη λειτουργία της συσκευής.

Μπορείτε να ανατρέξετε στη Λίστα Εξουσιοδοτημένων Σέρβις που παρέχεται με το προϊόν για να βρείτε τον πλησιέστερο εξουσιοδοτημένο αντιπρόσωπο σέρβις.

ΥΠΗΡΕΣΙΕΣ ΜΕΤΑ ΤΗΝ ΠΩΛΗΣΗ

Παρακαλούμε συμμορφωθείτε με τις ακόλουθες προειδοποιήσεις:

1. Όταν παραλάβετε το προϊόν σας, εγκρίνετε το Πιστοποιητικό Εγγύησης από τον Εξουσιοδοτημένο Αντιπρόσωπό σας.
2. Χρησιμοποιήστε το προϊόν σας σύμφωνα με τις οδηγίες του εγχειριδίου χρήσης.
3. Όταν έχετε ένα αίτημα σέρβις σχετικά με το προϊόν σας, επικοινωνήστε με το Κέντρο σέρβις.
4. Ζητήστε από τον τεχνικό που έρχεται για το σέρβις την «ταυτότητα τεχνικού».
5. Μην ξεχάσετε να ζητήσετε «Απόδειξη σέρβις» από τον τεχνικό σέρβις όταν τελειώσετε. Το κουπόνι Υπηρεσίας που θα λάβετε θα σας ωφελήσει σε περίπτωση οποιουδήποτε προβλήματος που μπορεί να παρουσιαστεί με το προϊόν σας στο μέλλον.
6. Διάρκεια χρήσης: 10 χρόνια (Η περίοδος διατήρησης των ανταλλακτικών που απαιτούνται για τη λειτουργία του προϊόντος.)

Αυτή η συσκευή συμμορφώνεται με την Οδηγία 2012/19/ΕC για τα απόβλητα ηλεκτρικού και ηλεκτρονικού εξοπλισμού, σύμφωνα με τις οδηγίες που ισχύουν στην Ευρώπη (WEEE). Πρέπει να αποτρέψετε τυχόν αρνητικά αποτελέσματα για το περιβάλλον και την ανθρώπινη υγεία προτού πετάξετε αυτήν τη συσκευή. Διαφορετικά, θα είναι ακατάλληλη σπατάλη. Το σύμβολο μπροστά από το προϊόν είναι για να σας προειδοποιήσει να μην ανακυκλώσετε αυτό το προϊόν ως οικιακά απορρίμματα, αλλά να το παραδώσετε σε χώρους συλλογής ηλεκτρικών και ηλεκτρονικών απορριμμάτων. Η διαδικασία απόρριψης του προϊόντος πρέπει να διεξάγεται σύμφωνα με τους τοπικούς περιβαλλοντικούς κανονισμούς. Μπορείτε να λάβετε λεπτομερείς πληροφορίες σχετικά με την απόρριψη, την επαναχρησιμοποίηση και την ανακύκλωση του προϊόντος από εξουσιοδοτημένες μονάδες της περιοχής σας.

БЪЛГАРСКИ

Уважаеми клиенти,

Първо благодарим ви, че закупихте нашия продукт.

Прочетете внимателно всички инструкции и предупреждения в това ръководство за потребителя.

Това ръководство съдържа важна информация за безопасното инсталиране, използване и поддръжка на вашия продукт, както и предупреждения, за да може най-пълноценно да се възползвате от вашето устройство.

Съхранете това ръководство на безопасно и лесно достъпно място за бъдеща употреба.

Производителят не носи отговорност за каквито и да е щети върху хората, околната среда или други материали, произтичащи от превода или отпечатването на тази книжка, причинени от неправилна употреба на устройството.

Това устройство съответства на Регламента за ОЕЕО

СЪДЪРЖАНИЕ

Важна информация за безопасност

Технически особености на фурната

Инсталация на устройството

Енергийна ефективност на фурната

Описание на фурната

Използване на фурната

Вентилатор

Почистване и поддръжка на устройството

Разни препоръки

Инструкции за готвене

Информация за транспорта

Обслужване на клиентите и гаранция

ВАЖНА ИНФОРМАЦИЯ ЗА БЕЗОПАСНОСТТА

Безопасност на децата

*НИКОГА не позволявайте на малки деца да си играят с фурната, с копчетата за управление или близо до фурната.

*Фурната е продукт на който особено частите за хващане и стъкденият панел отпред се загряват до като работи. Поради тази причина е абсолютно необходимо да държите децата далеч от средата в която работи.

*От съображения за безопасност дръжте опаковъчни материали като найлон и стиропор далеч от деца, в противен случай те могат да бъдат опасни.

Преди инсталацията и Предупреждения за инсталиране

*Уверете се че сте премахнали всички опаковъчни материали преди да използвате вашия продукт.

*Този продукт не трябва да се използва за други цели освен за готвене. Опасно и неподходящо е да се използва за други цели (например за отопление на помещението в което се намира). Нашата фирма не носи отговорност за щети на хора, животни или стоки в резултат на неправилно или неподходящо използване на фурната.

*Когато стартирате фурната за първи път, във фурната може да се появи еднократна миризма, причинена от изолационни материали и нагревателни елементи. Ако това се случи, включете устройството и изчакайте миризмата да изчезне, преди да поставите храна във фурната. Почистете вътрешността на фурната с влажна кърпа.

*Избягвайте контакт с нагревателните елементи вътре във фурната, тъй като фурната ще прегрее по време на употреба.

*Повърхността на фурната може да стане много гореща по време на функцията грил, бъдете внимателни.

*Никога не гответе или пържете на дъното на фурната

*Не покривайте дъното на фурната с алуминиево фолио.

* Има някои правила, които трябва да се спазват при използване на всяко електрическо оборудване.

*Никога не се опитвайте да извадите щепсела от контакта, като дърпате кабела.

*Никога не докосвайте продукта, ако ръцете или краката ви са мокри или влажни.

*Не позволявайте на деца или непълнолетни да използват продукта без надзор.

* Изключвайте продукта от електрическия контакт, когато пренасяте, почиствате или опрегледжате фурната.

*В случай на пренебрегване ако вратата на фурната излезе от пантата си, може да нарани ръцете ви.

*Ако фурната е повредена или не работи правилно, изключете я, извадете я от контакта и не я бъркайте.

* Цялата поддръжка и ремонт трябва да се извършва само от оторизиран сервиз и трябва да се използват само оригинални резервни части. Неспазването на някое от горните предупреждения може да доведе до повреда на вашата фурна.

*Когато не използвате фурната, уверете се, че всички функции са в положение "ИЗКЛЮЧЕНО".

*Винаги използвайте ръкавици за фурна, когато изваждате тавата от фурната.

*Винаги поддържайте фурната чиста за вашата безопасност и за чистотата вашата фурна. Маслото, останало във фурната след употреба, може с течение на времето да повреди повърхността на фурната.

*Нашата компания не носи отговорност за щети на хора, животни или имущество поради неспазване на тези предупреждения.

* Нашата компания не носи отговорност за щети, които могат да възникнат от опасната и неправилна употреба на фурната.

*Уредът се нагрява по време на употреба. Трябва да се внимава да не се докосват нагревателните елементи във фурната.

*Уредът не трябва да се използва от лица (включително деца) с намалени физически или умствени възможности или липса на опит/знания, освен ако не са под наблюдението на лице, отговорно за тяхната безопасност, или са инструктирани да използват устройството от такова лице.

Устройството отговаря на следните европейски директиви и наредби:

(СЕ) 1275/2008 Наредба за потреблението на електроенергия в режим „готовност“ и „изключен“

Директива 2005/32 / ЕО / Консумация на електроенергия в режим на готовност и изключване

Директива 2014/35/ЕО (уреди за ниско напрежение)

Директива 2014/30/ЕО (Електромагнитна съвместимост)

Директива 2012/19/ЕО (ОЕЕО - отпадъци от електрическо и електронно оборудване)

Директива 2009/125/ЕО (ErP - екологичен дизайн)

Директива 2011/65/ЕС (RoHS - ограничение на опасни вещества)

Наредба 1935/2004/ЕО (Материали, предназначени за контакт с храни)

Наредба 1907/2006/ЕО (REACH - Ограничаване на химически препарати)

ТЕХНИЧЕСКИ ОСОБЕННОСТИ НА ФУРНАТА

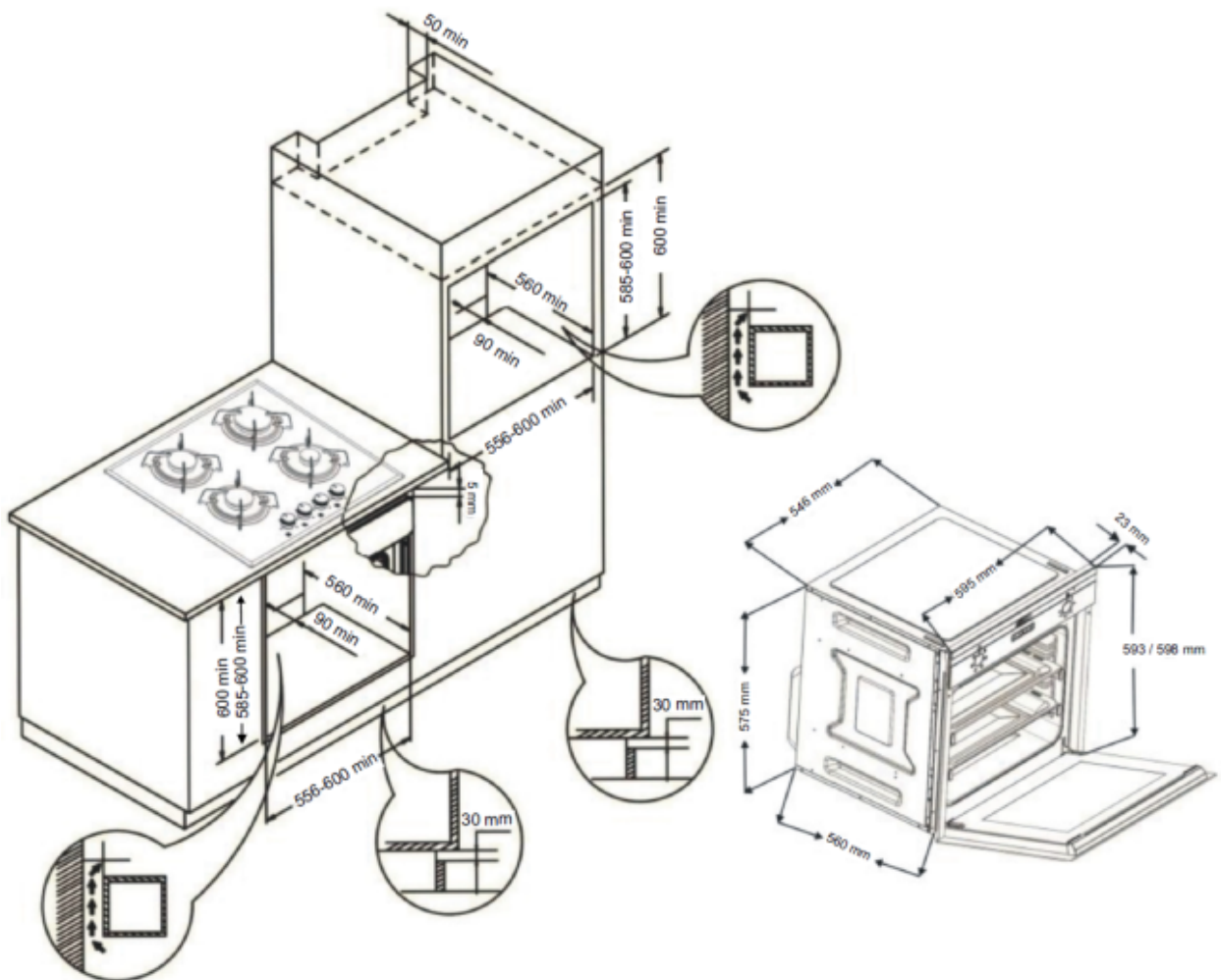
Фурната е предназначена за работа с монофазно електричество 220-240V AC 50-60 Hz. Преди монтаж, моля, прочетете внимателно регистрационния етикет, който се намира в долната предна част на фурната.

МОДЕЛ	OVEN 731016 PK INOX ΦΟΥΡΝΟΣ 731016 PK INOX OVEN 731016 PK BLACK ΦΟΥΡΝΟΣ 731016 PK BLACK
Горен нагревател	900 W
Долен нагревател	1200W
Скара	1800W
Лампа за фурна	25 W
Вентилатор	22 W
Турбо вентилатор	25 W
Външни размери на фурната (ШхДхВ)	595*595*560 мм
Размери на монтажния шкаф (ШхДхВ)	600*600*570 мм
Вътрешен обем на фурната	73 L
Волтаж	220-240 V AC 50-60 Hz
Максимална мощност	2170 W

ПРЕДУПРЕЖДЕНИЕ ЗА ОКОЛНАТА СРЕДА: След инсталирането на устройството, моля, изхвърлете опаковъчните материали, като обърнете необходимото внимание на безопасността и условията на околната среда. За повторно използване на отпадъчни опаковки, изхвърлете ги в съответните кутии за рециклиране според техните характеристики (фолио, картон, стиропор). Когато изхвърляте електрическо оборудване, направете го неизползваемо, като отрежете кабела.

ИНСТАЛАЦИЯ НА УСТРОЙСТВО

Монтажът трябва да се извърши от оторизиран техник съгласно инструкциите. Нашата фирма не носи отговорност за каквито и да било щети на хора, животни или имущество поради неправилен монтаж.



НАСТАВЛЕНИЯ ЗА ИНСТАЛИРАНЕ

* За да работи вградената фурната правилно, размерите на касата или шкафа, където ще се монтира и материалът трябва да са правилни и устойчиви на повишаващата се температура. Моля, съгледете според размерите, показани на фигура 1.

*Стените на мебела, върху които се монтира фурната, трябва да са топлоустойчиви. Особено ако страничните стени са направени от ПДЧ с покритие, покритието трябва да е устойчиво на 100°C.

Пластмасовото или лепилното покритие което не е топлоустойчиво на тази температура може да се деформира и повреди.

*От съображения за безопасност директният контакт на фурната с електрическите части трябва да се предотврати след завършване на монтажа.

*Частите, осигуряващи изолация и защита, трябва да бъдат монтирани по такъв начин, че да не могат да бъдат отстранени с помощта на никакъв инструмент.

*За да се осигури по-ефективна циркулация на въздуха, фурната трябва да се монтира, както е показано на Фиг.1.

*Препоръчително е да оставите разстояние от най-малко 40 мм от задната страна на кухненския модул, където е монтирана фурната.

*Когато поставяте фурната, трябва да поставите подпора под фурната, която да носи нейното тегло.

*Задната част на шкафа в кухненския модул трябва да се свали, за да се осигури по-ефективна циркулация на въздуха.

* Преди да подготвите фурната си, първо трябва да подготвите мястото, където ще бъде монтирана и електрическата инсталация. След това се обадете в най-близкия оторизиран сервиз.

* Не се препоръчва да инсталирате устройството в близост до хладилник или фризер, в противен случай работата на гореспоменатите устройства ще бъде неблагоприятно повлияна поради излъчваната топлина.

МОНТАЖ НА ФУРНАТА КЪМ ШКАФА

*Отворете вратата на фурната и я подравнете с отворите от двете от страни и я монтирайте на кухненския плот с двата дървени винта, включени в комплекта за монтаж.

*Поставете устройството центрирано във вградения шкаф.

*Фурната може да се монтира във висок шкаф или под плот според предпочитанията.

*Когато на плота над фурната е монтиран вграден електрически котлон, електрическите кабели на котлона и фурната трябва да са отделени един от друг за безопасност и за улесняване на демонтирането на фурната от този котлон при нужда.



ЕЛЕКТРИЧЕСКА ВРЪЗКА

*Уредът трябва да бъде свързан към електрическата мрежа в съответствие с действащите закони и разпоредби и само от оторизиран електротехник.

*Уверете се, че захранването от електрическата мрежа отговаря на мощността, посочена на етикета с номинални данни, поставен в предната долна част на устройството.

*Ако текущата стойност на предпазителя във вашата къща е по-малка от 16 ампера, помолете лицензиран електротехник да свърже предпазител от 16 ампера.

ПРЕДУПРЕЖДЕНИЕ: Устройството трябва да бъде заземено.

*Върху захранващия кабел на вашата фурна е монтиран заземен щепсел. Този щепсел трябва да се използва със заземен проводник. Инсталацията за заземяване трябва да се извърши от лицензиран електротехник.

Преди да свържете устройството към захранване:

1) Разположете фурната по такъв начин, че да осигурява лесен достъп до контакта или двуполюсния превключвател, използван за електрическо свързване.

2) Не поставяйте електрическия кабел в контакт с горещи повърхности и не го притискайте във вратата на фурната.

3) Когато захранващият кабел е повреден, свържете се с най-близкия оторизиран сервиз във вашия район. Нека оторизираният сервиз го смени с нов кабел със същия размер с пластмасова изолация и способен да издържи електрическия ток, необходим на плочата.

*Ако уредът ще се свързва директно към електрическата инсталация, разстоянието между контактните точки между уреда и електрическата инсталация е минимум 3 мм и трябва да се монтира двуполюсен превключвател който е подходящ за носене на желаното натоварване в съответствие с приложимите закони. Заземителният проводник не трябва да се прекъсва от двуполюсния превключвател.

*Не се препоръчва използването на адаптери, множественни контакти или удължители. Ако е абсолютно необходимо използването то адаптерът или удължителният кабел да са в съответствие с приложимите закони за безопасност. Въпреки това, никога не превишавайте максималния капацитет на тока и максималната мощност, посочени за адаптера.

* След като процесът на свързване приключи, тествайте нагревателните елементи за 3 минути.

*Електрическата безопасност на устройството е гарантирана само при правилно свързване към подходящ източник, заземен съгласно правилата. Нашата фирма не носи отговорност за щети на хора, животни или имущество, причинени от неправилното заземяване на устройството.



Фигура 2: Свързване на електрическия щепсел на фурната

ПЪРВИ СТАРТ ;

1. Задайте настройката на температурата на максимално ниво (250 C MAX).
2. Преместете функционалния бутон върху функцията горен и долен нагревател (и ако има вентилатор,).
3. Включете фурната да работи празна за 30 минути.
4. Отворете прозорец за циркулация на въздуха.

* През този период може да се появи еднократна миризма и дим във вашата фурна поради изолационните материали и нагревателните елементи. Ако възникне такава ситуация, преди да сложите храната във фурната само изчакайте изчезването на миризмата и дима.

* Когато тези процеси приключат, почистете вътрешността на фурната с леко навлажнена насапунена мека кърпа.

ВАЖНО: За да отворите вратата на фурната, винаги хващайте средната част на дръжката.

ПРЕДУПРЕЖДЕНИЕ: Преди да използвате фурната за първи път, внимателно измийте частите като тави и скари.

ПРЕДУПРЕЖДЕНИЕ: Когато използвате грила достъпните части може да са горещи,. Децата трябва да се държат далеч.

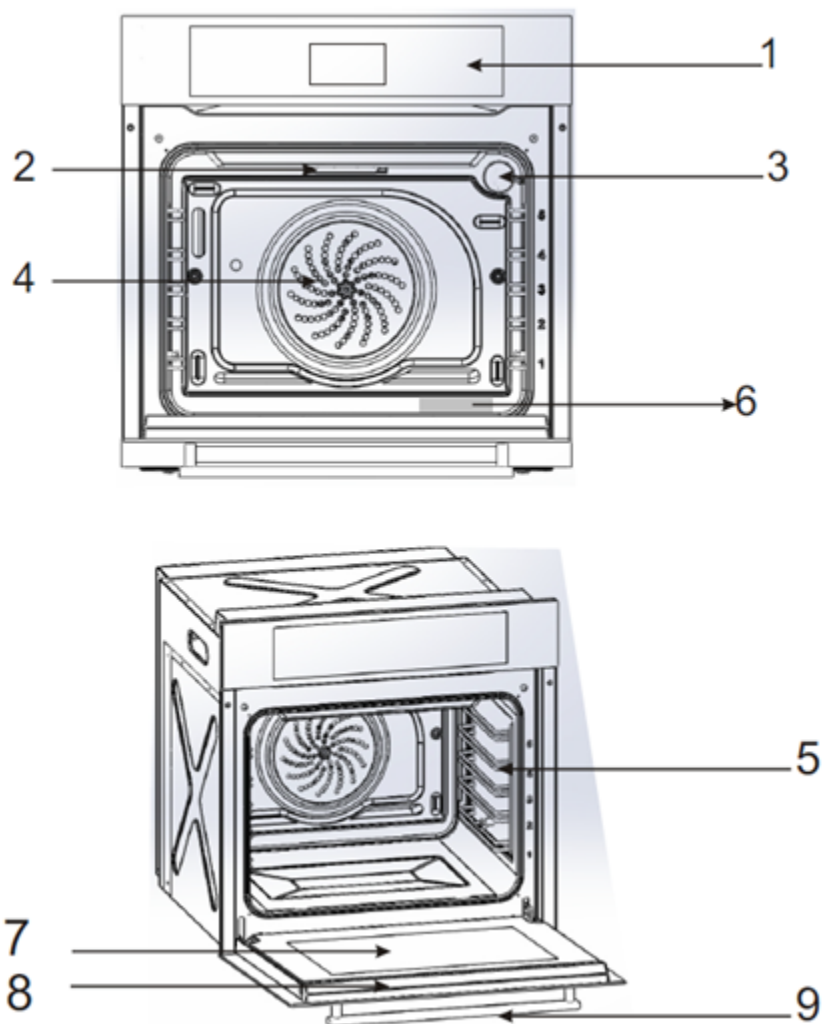
ПРЕДУПРЕЖДЕНИЕ: Ако повърхността е напукана, изключете веригата на устройството, за да избегнете възможността от токов удар.

ПРЕДУПРЕЖДЕНИЕ: За да избегнете възможността от токов удар, уверете се, че устройството е изключено, преди да смените лампата.

ЕНЕРГИЙНА ЕФЕКТИВНОСТ НА ФУРНАТА

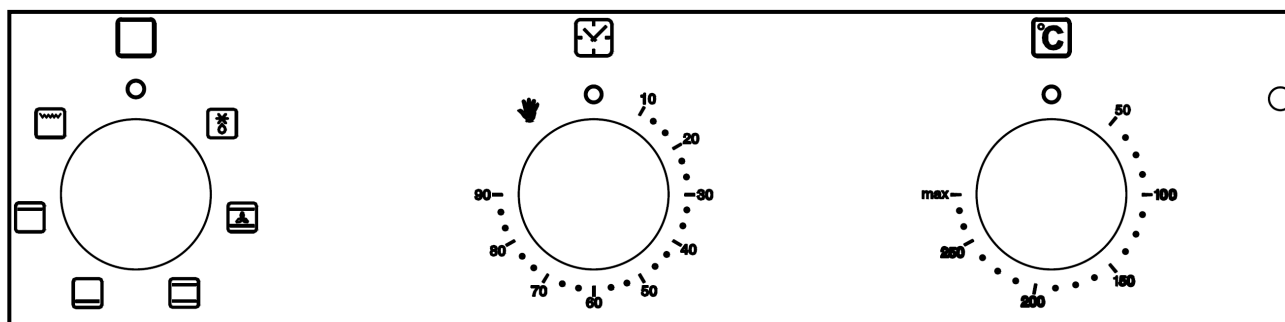
- Предпочитайте фурни с висока енергийна ефективност и с топлоизолация.
- Честото отваряне на вратата на фурната, докато храната се готви, причинява всеки път навлизане на студен въздух във фурната, което води до загуба на енергия. Поради тази причина вратата на фурната не трябва да се отваря повече от необходимото.
- Във фурната се опитайте да пригответе повече от едно ястие. Храните които се приготвят при по-ниски температури трябва да се извадят по рано, без да се променя температурата на фурната за да се изразходва по-малко енергия
- Остатъчната топлина след изпичането на храна във фурната също трябва да се използва за следващата храна. По този начин се пести енергия.
- Предварителното загряване във фурната трябва да стане за кратко (максимум 10 минути).
- Замразената храна трябва да се размрази преди готвене във фурната.
- Около фурните не трябва да има запалими и леснозапалими материали.
- Фурните трябва да се монтират на места, далеч от запалими среди.
- Ако фурните се изключат няколко минути преди времето за готвене, готвенето продължава при текущата температура, като се консумира по-малко енергия.
- За да намалите консумацията на енергия, изключете фурната няколко минути преди края на времето за готвене. По този начин готвенето ще продължи при останалата налична температура

ОПИСАНИЕ НА ФУРНАТА



- 1) Контролен панел
- 2) Горен нагревател на фурната
- 3) Лампа
- 4) Турбо вентилатор
- 5) Телена решетка
- 6) Етикет с името на продукта
- 7) Стъкло за фурна
- 8) Преден капак
- 9) Дръжка

ИЗПОЛЗВАНЕ НА ФУРНА



1

2

3

1. **Копче за избор на функция:** Завъртете копчето, за да изберете функцията, която искате да използвате, докато фурната работи.


2. **Механичен таймер:** Прочетете описанието по-долу.

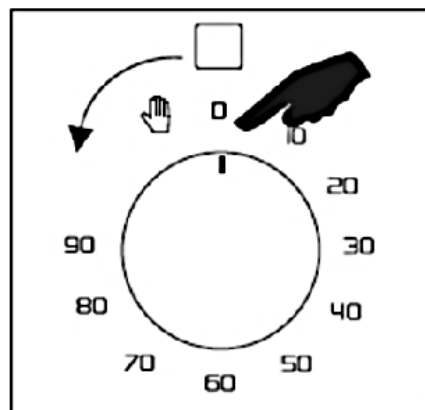
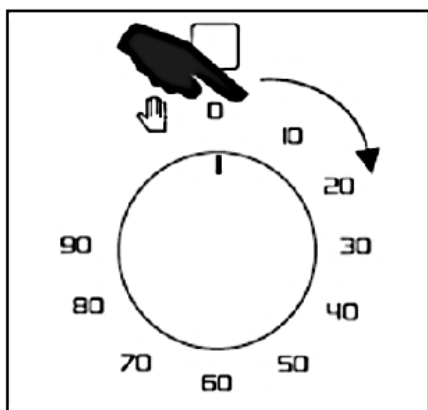
3. **БУТОН ЗА НАСТРОЙКА НА ТЕМПЕРАТУРАТА:** Използва се за регулиране на температурата на готвене между 50-250 °C, докато фурната работи.

	ФУНКЦИЯ ИЗКЛЮЧВАНЕ.: В тази позиция уредът не работи.
	ФУНКЦИЯ РАЗМРАЗЯВАНЕ: В тази позиция работи само турбо вентилаторът, който циркулира въздуха със стайна температура около замразената храна и я размразява.
	ФУНКЦИЯ ВЕНТИЛАТОР + ДОЛЕН И ГОРЕН НАГРЕВАТЕЛ: Горещият въздух циркулира във фурната и осигурява по-хомогенно готвене. Използва се за храни, които се желаят да бъдат меки отвътре и пържени и хрупкави.
	ФУНКЦИЯ ДОЛЕН И ГОРЕН НАГРЯВАТЕЛ: Използва се най-вече за готвене в една тава. И двете страни на храната са еднакво запечени и хрупкави.
	ФУНКЦИЯ НА ДОЛЕН НАГРЕВАТЕЛ: Активен е само долният нагревател. За храна, която трябва да се готви от дъното, за затопляне на храна, както и гювеч който ще се готви дълго време на бавна топлина,.
	ФУНКЦИЯ ГОРЕН НАГРЕВАТЕЛ: Активен е само горният нагревател. Използва се най-вече за повече запичане на повърхността на сготвена храна и за загряване на предварително сготвена храна.
	СРЕДЕН ГРИЛ: Използва се за печене на скара и пържене на малки порции храна. Подходящ е за готвене на месо със смалка до средна дебелина, като колбаси и котлети. Поставете месото директно върху решетката и изпечете на скара, като поставите тавата за маслото отдолу.

ИЗПОЛЗВАНЕ НА МЕХАНИЧНИЯ ТАЙМЕР

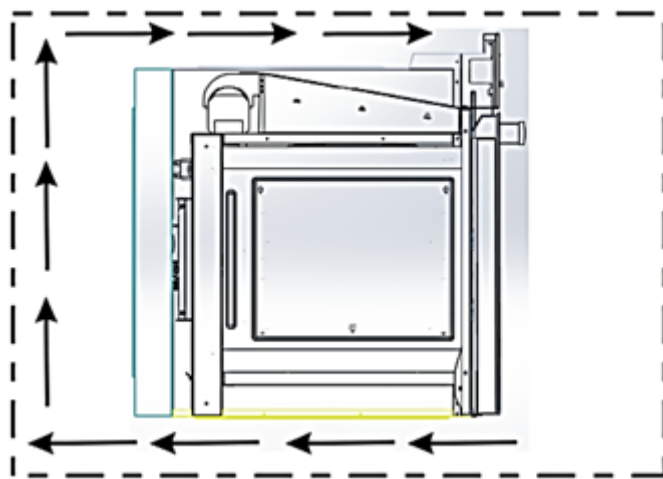
Можете да зададете до 90 минути, като завъртите копчето на механичния таймер по посока на часовниковата стрелка. Часовникът ще накара фурната да работи в рамките на зададеното от вас време и ще я изключи автоматично, когато времето изтече. След като храната за готвене е поставена във фурната, регулирайте бутоните за функция и температура и завъртете бутона на механичния часовник на желаната позиция. Когато времето изтече, алармата на фурната ще прозвучи и фурната ще се изключи. С автоматичен прекъсвач времето за работа на фурната може да се настрои на максимум 90 минути. Може да се направи ръчна настройка на времето за по-дълго време за готвене. За ръчна употреба

подравнете знака „“, като завъртите копчето на механичния часовник обратно на часовниковата стрелка. В това положение вашата фурна ще започне да работи. Фурната ще продължи да работи в рамките на периода от време, който желаете. Когато искате да завършите процеса на готвене, завъртете бутона на механичния часовник по посока на часовниковата стрелка. Когато алармата прозвучи, вашата фурна ще бъде изключена.



ОХЛАЖДАЩ ВЕНТИЛАТОР

Прегряването на външната повърхност на фурната и увреждането на околната среда се предотвратяват от охлаждащия вентилатор на вентилационната система. Този вентилатор създава проветряване, което позволява на горещия въздух да излезе през решетките (вентилационните отвори). Топлината, излъчвана от фурната, предотвратява повторното нагряване на фурната и също така създава въздушна завеса, която предотвратява прегряването на контролния панел, капака и компонентите. Вентилацията на охлаждащия вентилатор предотвратява образуването на конденз върху електрическите и механичните части поради топлина и влажност, което го прави по-безопасен и издръжлив. Охлаждащият вентилатор се включва и изключва от термостата, разположен върху него. Тъй като в този случай охлаждащият вентилатор работи в зависимост от температурата, дори ако фурната е изключена, той ще работи известно време и автоматично ще спре.

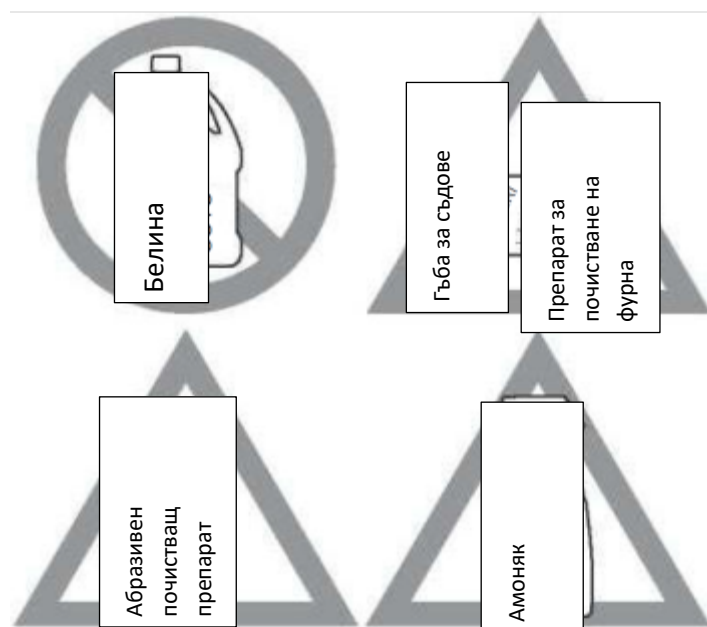


ПОЧИСТВАНЕ И ПОДДРЪЖКА НА УСТРОЙСТВОТО

Почистете разливите и силните замърсявания възможно най-скоро. Редовното почистване ще намали трудностите при големите почиствания по-късно.

ВНИМАНИЕ!

- Преди да почистите която и да е част от устройството, се уверете, че всички бутони за управление са изключени и устройството е охладено.
- Ако се използват амоняк или почистващи препарати за устройства, те трябва да бъдат отстранени и изплакнати обилно преди да се включи устройството. Следвайте инструкциите на производителя и осигурете подходяща вентилация.



Фигура 35: Използвайте внимателно почистващите препарати.

Алуминий и винил

С помощта на мека кърпа почистете с лек препарат за съдове и вода. Изплакнете с чиста вода, подсушете и полирайте с мека, чиста кърпа.

Боядисани и пластмасови копчета за управление \ Боядисани части на тялото на устройството и Боядисани декоративни покрития

С помощта на мека кърпа почистете с лек препарат за съдове и вода или 50/50 разтвор на оцет и вода. Изплакнете с чиста вода, подсушете и полирайте с мека, чиста кърпа. Могат да се използват препарати за почистване на стъкла, но не нанасяйте директно върху повърхността; Напръскайте кърпата и избършете.

Контролен панел

С помощта на мека кърпа почистете с лек препарат за съдове и вода или 50/50 разтвор на оцет и вода. Не пръскайте течности директно върху контролния панел и повърхността на фурната. Не използвайте големи количества вода върху контролния панел - излишната вода в района може да повреди устройството. Не използвайте други течни почистващи препарати, абразивни почистващи препарати, кърпи за търкане или хартиени кърпи - те ще повредят покритието.

Бутони за управление

С помощта на мека кърпа почистете с лек препарат за съдове и вода или 50/50 разтвор на оцет и вода. За да пизвадите контролните бутони: Изключете, хванете здраво и издърпайте от вала. За да инсталирате отново бутоните след почистване, подравнете ги с маркировката OFF и натиснете бутоните на място.

Неръждаема стомана

С помощта на мека кърпа почистете с лек препарат за съдове и вода или 50/50 разтвор на оцет и вода. Изплакнете с чиста вода, подсушете с мека чиста кърпа. Не използвайте абразивни почистващи препарати, съдържащи хлорид, хлор или амоняк.

Неръждаема стомана без следи\ Черна неръждаема стомана

С помощта на мека кърпа почистете с лек препарат за съдове и вода или 50/50 разтвор на оцет и вода. Изплакнете с чиста вода, подсушете с мека чиста кърпа. Не използвайте почистващи препарати за уреди, почистващи препарати за неръждаема стомана или почистващи препарати, съдържащи абразиви, хлориди, хлор или амоняк. Тези почистващи препарати могат да повредят покритието.

Тава за грил с емайлирано покритие и приставка\ Емайлирано покритие на вратата на фурната и Емайлирани части на тялото на фурната

Изплакнете с чиста вода и подсушете с влажна кърпа. Изтъркайте внимателно със сапунена, неабразивна търкалка, за да премахнете повечето петна. Изплакнете с 50/50 разтвор на чиста вода и амоняк. Ако е необходимо, покрийте трудните места с хартиена кърпа, напоена с амоняк за 30 до 40 минути. Изплакнете и подсушете с чиста кърпа. Изплакнете всички почистващи препарати, в противен случай нагриването може да повреди порцелана в бъдеще. Не позволявайте разливи от храни с високо съдържание на захар или киселина (мляко, домати, кисело зеле, сокове или пълнеж за пайове) да остават върху порцелановите повърхности. Тези разливи могат да оставят матово петно дори след почистване.

Капак на фурната

Използвайте лек препарат за съдове и вода или 50/50 разтвор на оцет и вода, за да почистите горната част, страните и предната част на вратата на фурната. Изплакнете добре. Препарат за почистване на стъкла може да се използва за почистване на външното стъкло на вратата на фурната. Почистващ препарат за керамични гладки повърхности или лак може да се използва за вътрешното стъкло на вратата на фурната. Не потапяйте капака директно във вода. Не пръскайте и не позволявайте вода или почистващи препарати да навлязат във вентилационните отвори на вратата на фурната. Не използвайте почистващи препарати за фурна, почистващи прахове или груби абразивни почистващи препарати от външната страна на вратата на фурната.

Не почиствайте уплътнението на вратата на фурната. Не търкайте, отстранявайте или не повреждайте това уплътнение.

Изваждане на страничните телени рафтове на фурната

Възможно е лесно да се извадят и почистят страничните телени рафтове където се поставя тавата и решетката. За да премахнете тези телени рафтове от страничните стени на фурната, постъпете както е показано на снимката по-долу.



Стъкло за фурна

Почистете и подсушете стъкления капак с меки гъби и кърпи.

Уплътнение на фурната:

* Когато фурната се използва дълго време, може да се появи конденз във вътрешността на предната врата и върху уплътнението на вратата. Отстранете влагата, която може да се появи, със суха кърпа или гъба.

*Проверявайте редовно състоянието на това уплътнение. Почиствайте, без да използвате необходимите абразивни почистващи препарати.

*Когато уплътнението е повредено, свържете се с най-близкия оторизиран сервиз във вашия район. Не използвайте фурната, докато не бъде ремонтирана.

Отстраняване на вратата на фурната

Можете лесно да свалите вратата на фурната и да я почистите. За да премахнете капака, трябва да следвате стъпките по-долу:

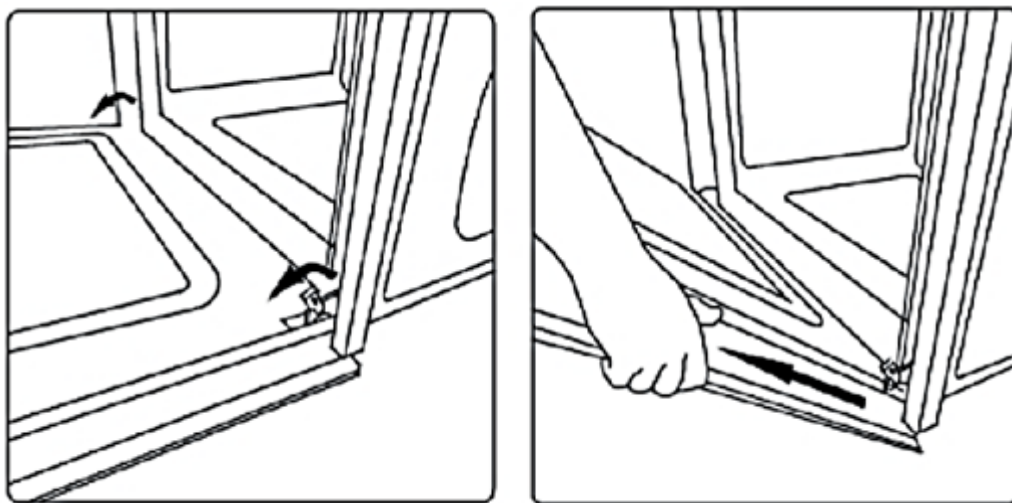
* Отворете напълно капака.

* Издърпайте назад 2-те панти, показани на снимката.

* Хванете капака и го затворете до първото място за затваряне.

*Издърпайте повдигнатия капак от мястото, където е монтиран.

За да поставите правилно свалената врата на фурната, поставете правилно пантите и ги спуснете надолу.



Смяна на крушката на фурната

* Преди да извършите тази операция, уверете се, че няма електричество към устройството.

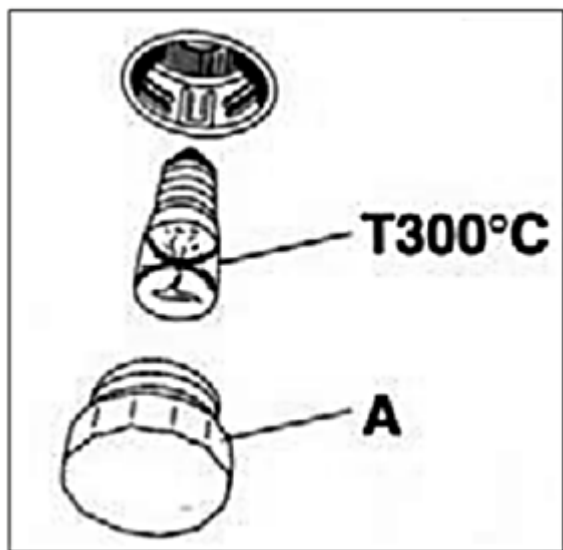
* Крушката на фурната трябва да има следните характеристики.

- Устойчива на висока температура (до 300 C)
- Електрически стойности: 220-240V AC 50-60 Hz
- Електрическа мощност: 25W
- E 14 връзка

* Крушката на фурната трябва да се смени, както е показано на долната схема:

- Натиснете стъкления капак и го завъртете обратно на часовниковата стрелка.
- Отстранете изгорялата крушка,
- Поставете новата крушка
- Поставете стъкления капак
- Включете захранването на устройството.

ВАЖНО: Ако решите да не използвате отново уреда, изключете уреда от електрическия контакт, като го извадите щепсела от контакта. Неизползваните устройства представляват риск за безопасността на децата. Затова дръжте фурната на недостъпно за деца място.



РАЗНИ ПРЕДЛОЖЕНИЯ

ПРОБЛЕМ	ПРИЧИНА	РЕШЕНИЕ
Горната страна на ястието е много, долната част е недостатъчно изпечена	Ниско ниво на топлина от дъното	Може да е грешен рафт за готвене. Трябва да се постави на по-нисък рафт
Долната страна на ястието е много, горната част е недостатъчно изпечена	Ниско ниво на топлина от горе	Може да е грешен рафт за готвене. Трябва да се постави на по-висок рафт
Външната част на ястието е изпечено, но вътрешната част не е изпечена	Прекомерно затопляне	Грешна температура на готвене. Намалете градусите
Външната част на яденето е изсъхнало	Ниско затопляне	Грешна температура на готвене. Увеличете градусите

ИНСТРУКЦИИ ЗА ГОТВЕНЕ

За да получите отлични резултати при печене, загрявайки фурната до зададената температура за готвене. направете предварително затопляне. Само много тлъсто месо може да се пече във фурната, като се започне от студено загряване. Никога не използвайте плиткитигани или тави за печене, за да замърсите възможно най-малко стените на фурната, предотвратявайки пръскането на масло, бързото изгаряне на соковете и появата на дим.

ВЕНТИЛИРАНО ЗАТОПЛЯНЕ

Тази функция осигурява непрекъсната циркулация на горещ въздух и това осигурява готвене едновременно на двата рафта. Температурата, , е по-ниска от нормалната температура

















ТРАДИЦИОННО ЗАТОПЛЯНЕ

Особено подходящо за пържене, печене на хляб и сладкиши. Препоръчително е да поставите храната която ще пригответе във фурната, когато достигне температурата на готвене, т. е. когато индикаторът на термостата изгасне

ВРЕМЕ ЗА ГОТВЕНЕ

Таблицата показва някои примери за настройка на термостата и време за готвене. Времето за готвене зависи от структурата, еднородността и обема на храната.

Сигурни сме, че с натрупването на опит можете дори да правите предложения за възможни промени в стойностите, дадени в таблицата

				
F				
°C	160-200	160-180	210-220	230-250
€	2 - 3	2	2	4
⌚	30' - 50'	20' - 40'	45' - 60'	14' - 18'
				
F				
°C	225-250	180-210	160-180	190-210
€	2	2 - 3	2	2
⌚	120' - 150'	75' - 160'	45' - 60'	40' - 50'

ИНФОРМАЦИЯ ЗА ДОСТАВКАТА

- Запазете оригиналната опаковка.
- Носете го в оригиналната му опаковка.
- Следвайте транспортните знаци на опаковката.

Ако няма оригинална опаковка;

- Вземете предпазни мерки срещу удари по външните повърхности на вашия продукт. Не го натоварвайте тежко.
- Дръжте/поставете вашия продукт (с горната страна нагоре) успоредно на земята по време на транспортиране.

ПРОЦЕДУРИ, КОИТО ТРЯБВА ДА СЕ ИЗВЪРШАТ, ПРЕДИ ДА СЕ ОБАДИТЕ В ОТОРИЗИРАН СЕРВИЗ

* Ако фурната не загрява; Щепселът на вашия продукт може да не е включен в заземен контакт, шалтерът може да е изключил или в модели с часовници часовникът може да не е настроен

* Ако фурната не работи; Копчето за избор на функция настроено ли е на желаната функция в мултифункционални фурни?
Регулирана ли е температурата с бутона за управление на нагревателя на фурната?
Изгорял ли е предпазителът на контакта, към който е свързана фурната или главният предпазител?

*Ако лампата за вътрешно осветление не свети; има ли ток? Възможно ли е лампата да е повредена? Ако е повредена сменете го, като се обърнете към ръководството.

*Готвене (ако отгоре/отдолу не се готви равномерно);

Проверете позициите на рафтовете, времето за готвене и температурните стойности според ръководството за потребителя.

АКО ВСЕ ОЩЕ ИМАТЕ ПРОБЛЕМ С ВАШИЯ ПРОДУКТ, МОЛЯ ОБАДЕТЕ СЕ В ОТОРИЗИРАН СЕРВИЗ...

ОБСЛУЖВАНЕ НА КЛИЕНТИ И ГАРАНЦИЯ

Вашето ново устройство има гаранция за 2 години срещу електрически или механични повреди. Гаранцията на вашето устройство е невалидна при следните условия.

- а) Грешки, причинени от неправилно инсталиране и използване на устройството.
- б) Грешки, причинени от някой, различен от упълномощените лица, който третира машината или се опитва да я поправи.
- в) В случай на проблеми, произтичащи от сглобяването на която и да е част към устройството, различна от частите, предоставени от производителя.
- д) В случай на проблеми, произтичащи от употреба извън дома или необичайна или ненормална употреба.
- д) В случай на проблеми, произтичащи от грешно напрежение.
- е) В случай на проблеми, произтичащи от неправилна работа с устройството.

Можете да се обърнете към списъка с оторизирани сервиси, предоставен с продукта, за да намерите най-близкия оторизиран сервизен агент.

СЛЕДПРОДАЖБЕНО ОБСЛУЖВАНЕ

Молим ви да спазвате следните предпазни мерки;

1. Когато получите вашия продукт, трябва гаранционният сертификат да бъде одобрен от вашия оторизиран дилър.
2. Използвайте вашия продукт според инструкциите в ръководството за потребителя.
3. Когато имате заявка за обслужване по отношение на вашия продукт, моля, свържете се с нашия сервизен център на телефонните номера по-горе.
4. Поискайте от техника, който идва за услугата, „лична карта на техник“.
5. Не забравяйте да поискате „Сервизна разписка“ от сервизния техник, когато приключите. Сервизният ваучер, който ще получите, ще ви бъде полезен в случай на проблем, който може да възникне с вашия продукт в бъдеще.
6. Срок на експлоатация: 10 години (Срокът за осигуряване на резервните части, необходими за функционирането на продукта.)

Това устройство в съответствие на директивите, прилагани в Европа (WEEE) е съвместимо с Директива 2012/19 / ЕО относно отпадъците от електрическо и електронно оборудване . Преди да хвърлите това устройство при отпадъците трябва да предотвратите възможни негативни последици за околната среда и човешкото здраве. В противен случай той ще бъде неуместен отпадък . Символът на предната страна на продукта е поставен за да ви предупреди, че не трябва да рециклирате този продукт в битови отпадъци а да го занесете до местата за събиране на електрически електронни отпадъци. Унищожаването на продукта трябва да се извърши в съответствие с местните екологични разпоредби. Можете да получите подробна информация от оторизираните звена за унищожаване, повторна употреба и рециклиране на продукта.



HF21.47.00.0739_V.01_